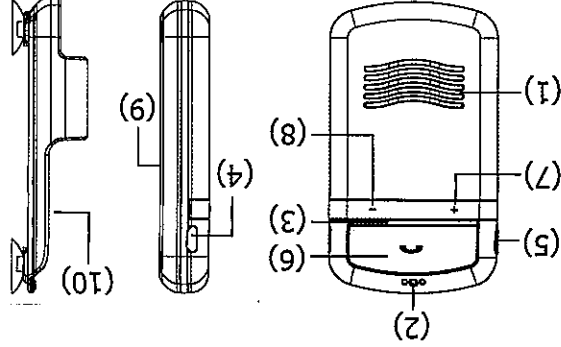


Free2Talk Solar Visor Carkit BC900 USER GUIDE

Thank you for purchasing the cutting edge of hands-free, wireless technology of Free2Talk.

This user guide will get you started and ready to make the most of your Bluetooth Text-To-Speech Solar Visor Carkit. The Solar Visor Carkit is compatible with most Bluetooth mobile phones. The Text-To-Speech system announces instructions for the users in 5 different languages and also indicates the status of the Bluetooth device. It also announces the name of the incoming caller (or phone number if the contact is not loaded into the carkit's phonebook). Fully portable, it is an ideal wireless communication solution for in-car or office use within a maximum range of 10 meters (32 feet). Built-in with Echo Cancellation and Noise Suppression, the Bluetooth Carkit provides you with impeccable sound quality in full duplex mode.

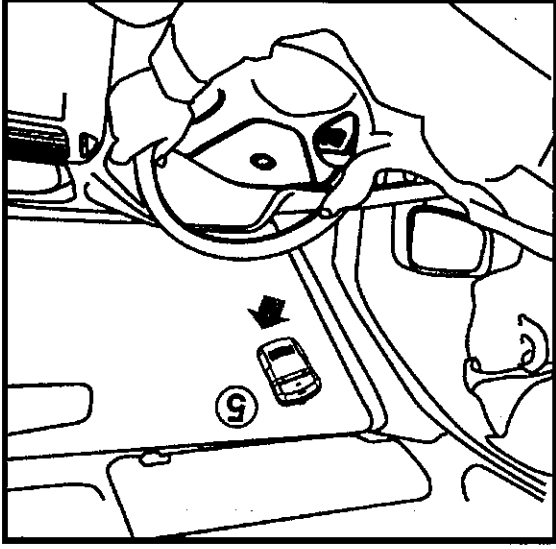
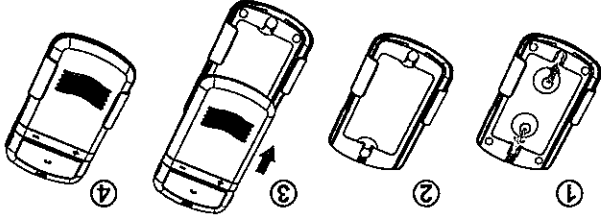


1. Appearance and Function

- (1) Speaker
- (2) Microphone
- (3) LED
- (4) Charging Socket
- (5) Mode Button (Privacy Mode and Mute)
- (6) MFB Button (Multi-Function Button)
- (7) Volume Increase (+)
- (8) Volume Decrease (-)
- (9) Solar Panel
- (10) Windshield Mount

2. Recommend Installation Position

It is recommended that the Carkit is positioned on to the top of the windshield as shown in the pictures below:



WARNING: Do not place or store the Carkit over the area of the automobiles safety airbag deployment, or it may cause serious injury when a safety airbag deploys.

3. Charging Your Carkit

The Carkit comes with a built-in rechargeable battery. Prior to using the Carkit, it is recommended to charge the battery fully for the first time.

Using the Car charger

- Insert the car charger completely into the charging slot.
- Full charge time is approximately 2 hours.

Using Solar Power

- Ensure that the Carkit is installed to the recommended installation position (as illustrated above).
- The Carkit recharges itself as soon as it receives adequate sunlight.

Note: The solar charging gauge is if the Carkit receives sufficient sunlight for 2 hours, it equates to extending the Talk-time by 1 hour or 50 hours of Standby Time.
WARNING: Do not attempt to charge the Carkit with any charger other than the one provided.

5. Pairing

Pairing is the process of connecting your Carkit with your mobile phone. Before using the Carkit with your mobile phone, you must pair both devices. If you wish to use your Carkit with a different mobile phone, you must reinitiate the pairing process with your intended Bluetooth mobile phone. The steps below describe pairing instructions for a typical Bluetooth enabled mobile phone.

- (1) Place the Carkit and mobile phone no more than 1 meter (3 feet) apart.
- (2) Ensure the Carkit is turned off.
- (3) Press and hold the "MFB" button for 6 seconds until the LED flashes red and blue simultaneously, it is now ready for pairing. ("Pairing phone please put your phone in pairing mode and enter PIN code 0000 is announced").
- (4) Activate the pairing feature on your mobile phone. Refer to your mobile phone's user guide.
- (5) Select "Free2Talk BC900" from the list of searched devices and enter the default pin code "0000", when prompted by your mobile phone system.
- (6) When pairing is completed, the Carkit is under the standby mode with the blue LED flashing at a 3 second interval. ("Pairing Successful" is also announced).

NOTE: If the pairing cannot be completed within 2 minutes after the pairing mode is activated, the Carkit will power off automatically. Please repeat steps above to pair the Carkit and mobile phone again.

6. Connection Link/Between Carkit and Mobile Phone

Your mobile phone will indicate a connection icon whenever your Carkit is paired. If the icon is not present, a reconnection can be established by manually selecting the Carkit from your mobile phone's Bluetooth menu. If your Carkit is set as an authorized Bluetooth device on your mobile phone, an automatic reconnection can be established by pressing the headset's MFB button once.
Note: Your Carkit will be automatically switched off when it is disconnected from a paired device for more than 10 minutes. This special feature is incorporated to maximize your Carkit's standby/talk time. To reinstate the connection, simply repeat the process for turning Carkit on.

7. Using the Carkit (Most functions will be audibly

- (1) Answering a Call
To answer an incoming call, press the "MFB" button once.
- (2) Ending a Call
To end an active call, press the "MFB" button once to end the call.
- (3) Reject a Call
Hold the "MFB" button for 3 seconds and the incoming call will be rejected.
- (4) Voice Dial (*Handset Dependent)
In standby mode, press the "MFB" button once and call out the name of the person for the call to be placed.
- (5) Redial Last Outgoing Number
Press the "MFB" button twice for last number redial.
- (6) Privacy Mode
In the middle of a conversation, press the "MODE" button once and the speaker volumes are automatically decreased to minimal level where you can use the Carkit in the same manner as using any handheld phone.
- (7) Mute & Unmute the Microphone
a. Mute: During a call, press and hold the "MODE" button for 3 seconds to mute the Carkit's microphone.
b. Un-Mute: Press and hold the "MODE" button for 3 seconds again.

- (8) Transferring Calls Between Carkit and Mobile Phone
a. Carkit to Mobile Phone: During a call, press the "MODE" button twice, and the call is routed to your mobile phone.
b. Mobile Phone to Carkit: Press the "MFB" button once to route the call to Carkit.
- (9) Adjusting the Volume
During a call, press the "+", "-", and "V-" buttons repeatedly until you reach the desired volume level.

8. Text-To-Speech Feature
The TTS (Text-To-Text) feature of this handsfree device will operate differently on different handsets. TTS will announce the number or name of the incoming caller. Some handsets may only allow for one number entry per contact to be vocalized and others may allow for several numbers per contact. The software that we use in this Free 2 Talk device is the most up to date available at the time of manufacturing however we cannot guarantee the TTS operation with any particular handset. To View a compatibility list for handsets or for more information regarding TTS please visit our website www.free2talk.com.au
- (1) Text-To-Speech Language Options
Off" is announced to denote its current status).
Hold the "+", "button for 3 seconds and the Carkit announces "Select Language". Repeat this process to select the desired language in the following order of English, French, Italian, German and Spanish.
- (2) Transferring Mobile Phone's Phonebook to Carkit (*Handset Dependent)
1. In the connected status, press the "MODE" button for 3 seconds and the Blue LED light indicator comes on. This

process automatically extracts the mobile phone's phonebook memory.

2. When the process is completed, the Carkit announces "Contacts Saved". The process may take a few minutes depending on the amount of contacts that is being stored in the mobile phone's memory.

- (3) Removing Phonebook Entries
During standby mode, hold on to both "+", "-", and "V-" buttons for 3 seconds ("Phonebook Deleted" is announced) and the entire phonebook memory in the Carkit will be erased.

NOTE: The phonebook data saved in the Carkit will be erased automatically when it is paired with another mobile phone. Please repeat the procedures for Phonebook transfer whenever a new mobile phone is connected.

9. Restore to Default Settings

To restore your Carkit to its original settings, press and hold both "+", "-", and "V-" buttons for 10 seconds until the blue LED light indication flashes rapidly. Press and hold both "+", "-", and "V-" buttons for a further 3 seconds and the Carkit will power off automatically. This process is completed when Carkit announces "Set Factory Default Completed".

10. Care and Maintenance

- (1) Do not expose the Carkit to liquid, moisture or humidity, as it is not waterproof.
- (2) Do not use abrasive cleaning solvents to clean the Carkit.
- (3) Do not expose the Carkit to extreme temperatures.
- (4) Do not expose the Carkit to contact with sharp objects as this will cause scratch/damage the surface.
- (5) Do not attempt to disassemble the Carkit, as it does not contain serviceable components.
- (6) If you do not use the Carkit for long periods of time, be sure to store it in a dry place, free from extreme temperatures, humidity and dust.

11. Product Specifications

- Bluetooth Compliance: Bluetooth 2.0 + EDR specifications
- Operating Frequency Band: 2.4GHz ~ 2.48GHz unlicensed ISM band
- Output Power: Class 2 Power Output, up to 10 meters
- Support Profiles: Headset and Handsfree 1.5 Profiles
- Text-To-Speech Supported Languages: English, French, Italian, German & Spanish
- Integrated Text-To-Speech Phonebook support: up to 1000 contacts (*Handset Dependent)
- Integrated with echo cancellation
- Full Duplex Audio Quality with echo cancellation
- Standby Time: Up to 600 hours
- Talk time: Up to 10 hours
- Battery Charging Time: 2 hours (car charger) , +- 12 hours (on solar cell)
- Charging Voltage: DCS.0V 400mA
- Battery Type: 550mA (Rechargeable Lithium Battery)
- Dimensions: 92.5 x 54 x 15.5 mm
- Weight: 60g (without windshield mount) , 69g (with windshield mount)

12. Safety Information

- (1) Check local laws regarding use of a mobile phone and Carkit while driving.
- If you use the Carkit while driving, ensure your attention and focus remain on your responsibility of driving safely.
- (2) Never allow children to play with the Carkit. Small parts may be a choking hazard.
- (3) Observe all signs that require an electrical device or RF radio product to be switched off in the designated areas. These could include hospitals, blasting areas, and potentially explosive atmospheres.
- (4) Do not use your Carkit in an aircraft.
- (5) We recommend that if the car will be stationary for a long period, the Visor unit should be removed to avoid theft.

13. Troubleshooting

- (1) The Hands Free has locked up (frozen): In the case of this unit locking up rendering all of the buttons inoperable simply plug the device into the charger supplied and the unit will unlock and operate as per normal.
- (2) The device does not announce the name of the incoming caller: Please see point 8.2 -- You must firstly transfer the contact list from you handset to the hands free device for this feature to work. For a compatibility list of handsets or further details as to how this feature works please visit www.free2talk.com.au
- (3) I have further unanswered questions regarding this device. You have 2 choices:
 - a. Log onto the support forum on our website www.free2talk.com.au/support where we will be more than happy to assist you in troubleshooting your Free 2 Talk product.
 - b. Call the Free 2 Talk help desk on 1300 365 047

14. Product Warranty Policies

Free2Talk warrants the product to be free from defects in materials and workmanship for a period of two years from the date of shipping. In the event that any of Free2Talk's Products are proved to Free2Talk's satisfaction to have been defective, Free2Talk will repair or replace (at Free2Talk's discretion) this product or any defective parts Specifically exempt from warranty are limited-life consumable components subject to normal wear and tear, such as microphone windcreens, ear cushions, modular plugs, suction pads, decorative finishes, batteries, and other accessories.

15. Disclaimer

Whilst every effort has been made to ensure that the information in this manual is accurate and complete, no liability will be accepted for any errors and/or omissions made. Free2Talk reserves the right to make changes and improvements to the specifications and features of the hardware and firmware of the products described in this document without prior notice. Reproduction, transfer, distribution or storage of part or all of the contents in this document in any form is prohibited without prior permission of Free2Talk. All trademarks acknowledged.

7. Using the Carkit (Most functions will be audibly