



EN

## INTERFACE ADAPTER FOR iPod™

# KCA-420i

FR

- OWNER'S MANUAL  
Please read before using this equipment.
- MODE D'EMPLOI  
Veuillez lire avant d'utiliser cet appareil.
- MANUAL DE OPERACIÓN  
Léalo antes de utilizar este equipo.

ES



**ALPINE ELECTRONICS MARKETING, INC.**  
1-1-8 Nishi Gotanda,  
Shinagawa-ku,  
Tokyo 141-0031, Japan  
Phone 03-5496-8231

**ALPINE ELECTRONICS OF AMERICA, INC.**  
19145 Gramercy Place, Torrance,  
California 90501, U.S.A.  
Phone 1-800-ALPINE-1 (1-800-257-4631)

**ALPINE ELECTRONICS OF CANADA, INC.**  
7300 Warden Ave., Suite 203, Markham,  
Ontario L3R 9Z6, Canada  
Phone 1-800-ALPINE-1 (1-800-257-4631)

**ALPINE ELECTRONICS OF AUSTRALIA PTY. LTD.**  
6-8 Fiveways Boulevard Keysborough,  
Victoria 3173, Australia  
Phone 03-9769-0000

**ALPINE ELECTRONICS GmbH**  
Frankfurter Ring 117,  
80807 München, Germany  
Phone 089-32 42 640

**ALPINE ELECTRONICS OF U.K. LTD.**  
Alpine House  
Fletchamstead Highway, Coventry CV4 9TW,  
U.K.  
Phone 0870-33 33 763

**ALPINE ELECTRONICS FRANCE S.A.R.L.**  
(RCS PONTOISE B 338 101 280)  
98, Rue de la Belle Etoile, Z.I. Paris Nord II,  
B.P. 50016, 95945 Roissy Charles de Gaulle  
Cedex, France  
Phone 01-48638989

**ALPINE ITALIA S.p.A.**  
Viale C. Colombo 8, 20090 Trezzano  
Sul Naviglio (MI), Italy  
Phone 02-484781

**ALPINE ELECTRONICS DE ESPAÑA, S.A.**  
Portal de Gamarra 36, Pabellón, 32  
01013 Vitoria (Alava)-APDO 133, Spain  
Phone 945-283588

# Contents

## Operating Instructions

### WARNING

WARNING .....	2
CAUTION .....	2
PRECAUTIONS .....	3

### Installation

Velcro fastener Mounting .....	3
Screw-down Mounting .....	3

### Connections

1) Connect the iPod™ to the Ai-NET compatible Head Unit .....	4
2) Connect the iPod™ to the Ai-NET compatible Head Unit and CD Changer .....	4
3) Connect the iPod™ to the Ai-NET compatible Audio Visual Head Unit and Audio Processor .....	5

### Operation

Turning Power On and Off .....	6
Recalling the iPod™ mode .....	6
Adjusting Volume .....	6
Listen to iPod™ Songs .....	7
Searching for a desired Song .....	7
Searching by Playlist .....	7
Searching by artist name .....	8
Searching by album name .....	9
Searching by song name .....	10
Quick Search .....	10
Random Play Shuffle (M.I.X.) .....	11

Repeat Play .....	11
Displaying the Text .....	12

### Information

In Case of Difficulty .....	13
About the adapter-compatible iPod™ .....	13
Specifications .....	13

### LIMITED WARRANTY

---

---

# Operating Instructions

## WARNING



### WARNING

This symbol means important instructions. Failure to heed them can result in serious injury or death.

---

#### **DO NOT DISASSEMBLE OR ALTER.**

Doing so may result in an accident, fire or electric shock.

---

#### **KEEP SMALL OBJECTS SUCH AS BATTERIES OUT OF THE REACH OF CHILDREN.**

Swallowing them may result in serious injury. If swallowed, consult a physician immediately.

---

#### **USE ONLY IN CARS WITH A 12 VOLT NEGATIVE GROUND.**

(Check with your dealer if you are not sure.) Failure to do so may result in fire, etc.

---

#### **BEFORE WIRING, DISCONNECT THE CABLE FROM THE NEGATIVE BATTERY TERMINAL.**

Failure to do so may result in electric shock or injury due to electrical shorts.

---

#### **DO NOT SPLICE INTO ELECTRICAL CABLES.**

Never cut away cable insulation to supply power to other equipment. Doing so will exceed the current carrying capacity of the wire and result in fire or electric shock.

---

#### **DO NOT DAMAGE PIPE OR WIRING WHEN DRILLING HOLES.**

When drilling holes in the chassis for installation, take precautions so as not to contact, damage or obstruct pipes, fuel lines, tanks or electrical wiring. Failure to take such precautions may result in fire.

---

#### **DO NOT USE BOLTS OR NUTS IN THE BRAKE OR STEERING SYSTEMS TO MAKE GROUND CONNECTIONS.**

Bolts or nuts used for the brake or steering systems (or any other safety-related system), or tanks should NEVER be used for installations or ground connections. Using such parts could disable control of the vehicle and cause fire etc.

---

#### **DO NOT ALLOW CABLES TO BECOME ENTANGLED IN SURROUNDING OBJECTS.**

Arrange wiring and cables in compliance with the manual to prevent obstructions when driving. Cables or wiring that obstruct or hang up on places such as the steering wheel, shift lever, brake pedals, etc. can be extremely hazardous.

---

#### **USE THIS PRODUCT FOR MOBILE 12V APPLICATIONS.**

Use for other than its designed application may result in fire, electric shock or other injury.

---

#### **MAKE THE CORRECT CONNECTIONS.**

Failure to make the proper connections may result in fire or product damage.



## CAUTION

This symbol means important instructions. Failure to heed them can result in injury or material property damage.

---

#### **USE SPECIFIED ACCESSORY PARTS AND INSTALL THEM SECURELY.**

Be sure to use only the specified accessory parts. Use of other than designated parts may damage this unit internally or may not securely install the unit in place. This may cause parts to become loose resulting in hazards or product failure.

---

#### **DO NOT INSTALL IN LOCATIONS WITH HIGH MOISTURE OR DUST.**

Avoid installing the unit in locations with high incidence of moisture or dust. Moisture or dust that penetrates into this unit may result in product failure.

---

#### **HAVE THE WIRING AND INSTALLATION DONE BY EXPERTS.**

The wiring and installation of this unit requires special technical skill and experience. To ensure safety, always contact the dealer where you purchased this product to have the work done.

---

#### **ARRANGE THE WIRING SO IT IS NOT CRIMPED OR PINCHED BY A SHARP METAL EDGE.**

Route the cables and wiring away from moving parts (like the seat rails) or sharp or pointed edges. This will prevent crimping and damage to the wiring. If wiring passes through a hole in metal, use a rubber grommet to prevent the wire's insulation from being cut by the metal edge of the hole.

## PRECAUTIONS

### On handling the iPod™

The iPod has not been designed to withstand automotive temperature extremes. Therefore, you should not leave the iPod in a vehicle for extended periods. Leaving the iPod inside a vehicle on a moderately hot or very cold day may damage the iPod. For further details on the iPod's non-operating storage temperature, please consult your iPod's documentation.

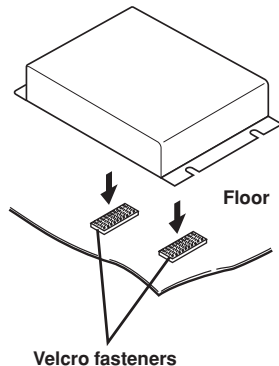
### CAUTION

- Alpine accepts no responsibility for lost data, etc., even if data, etc., is lost while using this product.
- Do not leave the iPod in a vehicle for a long time. Heat and humidity may damage the iPod and you may not be able to play it again.

## Installation

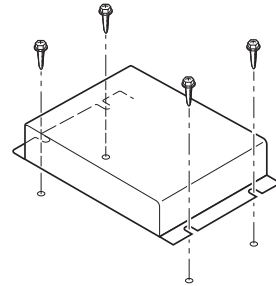
### Velcro fastener Mounting

- 1 Attach the Velcro fasteners.**  
Attach two Velcro fasteners to the mounting surface. The rough side should be facing the adapter.
- 2 Press the adapter onto the Velcro fastener in the mounting position.**  
Remove the backing to the adhesive on the Velcro strips. Press the adapter on the mounting location.



### Screw-down Mounting

- 1 Using the adapter as a template, hold it in the mounting location and mark the holes to be drilled. Before drilling, make sure that there are no objects that could be damaged behind the mounting surface.**
- 2 Drill holes and secure the adapter with the self-tapping screws (M4 x 14) supplied.**



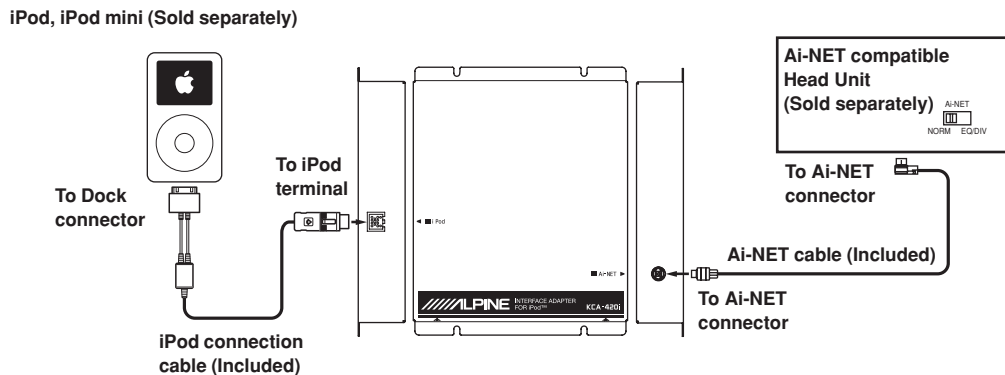
### CAUTION

If the iPod connection cable is damaged due to improperly connecting the iPod, it may result in iPod failure.

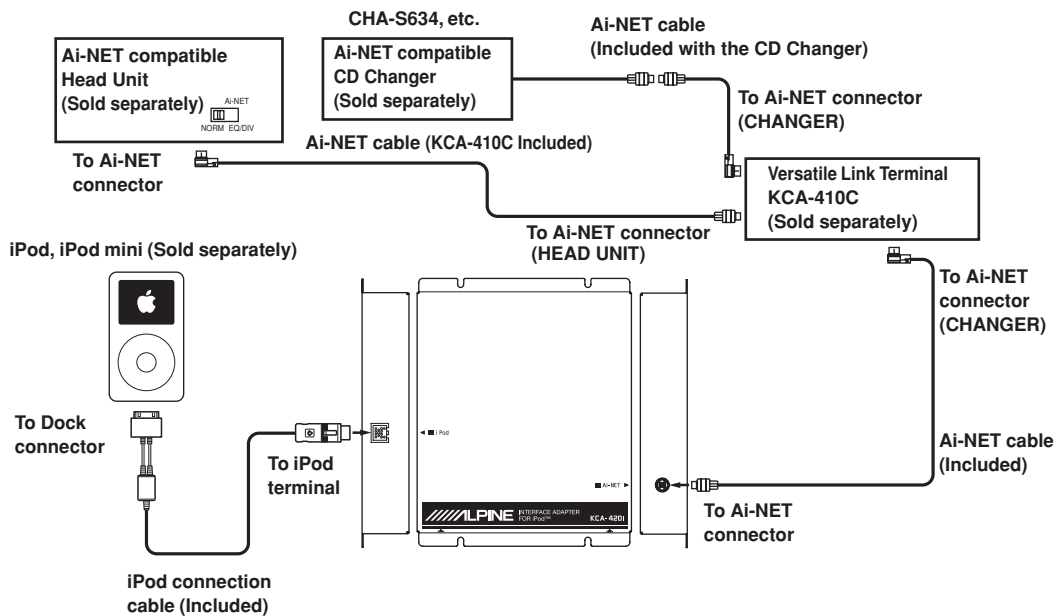
# Connections

When connecting the adapter, confirm the iPod software version. The adapter does not support software versions prior to iPod Update 2004-04-28. (see "About the adapter-compatible iPod™" on page 13).

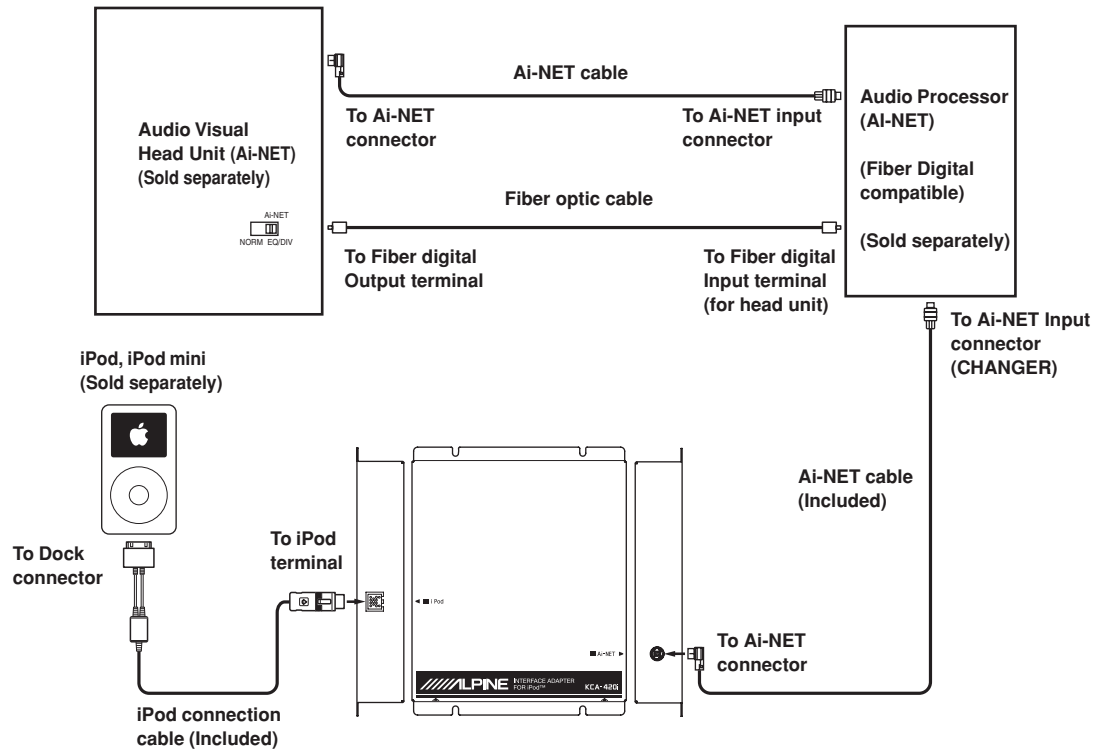
## 1) Connect the iPod™ to the Ai-NET compatible Head Unit



## 2) Connect the iPod™ to the Ai-NET compatible Head Unit and CD Changer



### 3) Connect the iPod™ to the Ai-NET compatible Audio Visual Head Unit and Audio Processor



- While connected to the adapter, the iPod is charged as long as the vehicle's ignition key is turned to ACC or ON.
- "OK to disconnect" is shown in the iPod's display while it is connected to the adapter.
- For details, refer to the Owner's Manual of the connected devices.

# Operation

By using this adapter, an iPod or iPod mini is controlled from an Alpine Ai-NET head unit. The following table shows which head units can be used for this purpose.

(Ai-NET compatible head unit sold as of January 2004)

CD Head Unit	CDA-9835	CD Head Unit	CDA-9825
	CDA-9833		CDA-9820XM
	CDA-9831	Audio/Visual Head Unit	IVA-D300
	CDA-9830		IVA-D901
	CDA-9827		CVA-1004
CDA-9826			

For operation using an Alpine Ai-NET head unit sold as of January 2005, refer to the head unit's Owner's Manual.

All of the iPod's buttons are disabled when connected to this adapter. Perform the operation from the head unit.

Operation of the iPod from the Ai-NET head units shown in the table above, closely follows the MP3 compatible CD changer operation. For details, refer to the Owner's Manual of the head unit.

For each function, refer to the iPod's documentation.

## Turning Power On and Off

### 1 The iPod power turns on as soon as it is connected to this adapter.

As soon as the iPod is connected, power is automatically turned on as long as the vehicle's ignition is ON or in ACC mode. The head unit's power does not have to be on.

The iPod's power can be turned OFF after removing the iPod from the adapter. When the iPod is left connected to the adapter, power is automatically turned off when the vehicle's ignition key is turned OFF. (The iPod is paused and goes into sleep mode about 2 minutes later.)

- While the iPod is connected to the adapter, the power cannot be turned on or off from the iPod.
- "OK to disconnect" is shown in the iPod's display while it is connected to the adapter.
- While connected to the adapter, the iPod is charged as long as the vehicle's ignition key is turned to ACC or ON.

## Recalling the iPod™ mode

- The iPod mode is displayed in the same way as the CD changer mode.
- If using the iPod with a changer, the Versatile Link Terminal (KCA-410C) must be used. In this case, press **BAND** to select the changer mode applicable to the iPod.

### Controlling from the CDA-9835/CDA-9833/CDA-9831/CDA-9830/CDA-9827/CDA-9826/CDA-9825/CDA-9820XM/CVA-1004 models

#### 1 Press **SOURCE/POWER** or **SOURCE/PWR** to switch to the CD changer mode.

The iPod is controllable from the head unit in the CD changer mode.

### Controlling from the IVA-D901 model

#### 1 Press **SOURCE/POWER** to display the main menu.

#### 2 Turn the **Rotary encoder** to select "CD CHG," then press the **Rotary encoder**.

The display changes to the CD changer mode screen, then the iPod can be controlled.

### Controlling from the IVA-D300 model

#### 1 Touch **[SRC]** on the main source screen.

The source selection screen is displayed.

#### 2 Touch **[CD CHG]**.

The display changes to the CD changer mode screen, then the iPod can be controlled.

## Adjusting Volume

### 1 Turn the **Rotary encoder** until the desired sound is obtained.

## Listen to iPod™ Songs

### 1 Press **⏮** or **⏭** to select the desired song.

**Return to the beginning of the current song:**

Press **⏮**.

**Fast backward:**

Press and hold **⏮**.

**Advance to the beginning of the next song:**

Press **⏭**.

**Fast forward:**

Press and hold **⏭**.

### 2 To pause playback, press **⏸**.

Pressing **⏸** again will resume playback.

- With IVA-D300 connected, perform the operation by touching on the display.
- With IVA-D901 connected, press **1** (**⏮**), **3** (**⏭**) or **2** (**⏸**).
- If a song is playing on the iPod when it is connected to the adapter, it will continue playing after the connection.
- If there are more than 255 songs, they can be played back, but cannot be correctly displayed.

## Searching for a desired Song

The folder/file search function of the head unit (disc search function for IVA-D300, title list display function for IVA-D901) has been modified to accommodate the iPod.

**Folder search..... Search by Song**

**File search\*..... Search by Playlist, Artist, Album**

\* By selecting Disc 1, 2 or 3 in CD changer mode, you can choose the method by which to search.

Disc 1 selection : Playlist search mode

Disc 2 selection : Artist search mode

Disc 3 selection : Album search mode

- The maximum number of playlists, artists and albums that can be searched by the file search is 511.
- The maximum number of songs that can be searched by the folder search is 255.
- When the IVA-D901 is connected, the maximum number of a playlist/artist/albums that can be searched by the file search function is 255. If there are more than 255, the top playlist/artist/albums (1) cannot be moved directly to the bottom (255), and vice versa; they can only be moved sequentially in either direction.
- When the CVA-1004 is connected, if there are more than 255 playlist/artist/albums in the iPod, they can be searched sequentially (1-511). Otherwise, the playlist/artist/albums jumps to 255.
- When Shuffle (M.I.X.) is on, the search function cannot be used.
- If there is only a single playlist/artist/album stored in the iPod, none of the search modes will function.
- If a playlist search is performed, the iPod's name is displayed.
- If a song is selected in the artist search mode, further searches are by albums of that artist. To return to a search for all songs, select the "iPod name" in the playlist search mode.

- It is recommended that playlists consist of no more than 255 songs. Also, if all songs in the iPod are associated with a playlist, access to each song is more efficient.
- When connected to the adapter, and search is first performed, be sure to begin the operation from step 1.

## Searching by Playlist

Controlling from the CDA-9835/CDA-9833/  
CDA-9831/CDA-9830/CDA-9827/CDA-9826/CDA-  
9825/CDA-9820XM models

- 1 Press 1.**  
The playlist search mode is selected.
- 2 Press **SEARCH** to enter the file search mode.**  
The playlist name is displayed.  
File search mode ↔ Folder search mode
- 3 Within 10 seconds, select a playlist by turning the Rotary encoder, then press the Rotary encoder.**  
The selected playlist will be played back repeatedly.

Controlling from the CVA-1004 model

- 1 Press 1.**  
The playlist search mode is selected.
- 2 When the monitor is open, press and hold the Rotary encoder for at least 2 seconds during playback.**  
The unit switches to file/folder search mode, and the playlist/song name list is displayed.
- 3 Press and hold **⏸** for at least 2 seconds to select file search.**  
The playlist name is displayed.
- 4 Press **⏮** or **⏭** to select the desired playlist.**
- 5 Press the Rotary encoder.**  
The selected playlist will be played back repeatedly.

*Continued*



### Controlling from the IVA-D901 model

- 1 Press [7] (Page 1/3) twice.**  
The Function Guide display changes.
- 2 Press [1] (DISC1).**  
The playlist search mode is selected.
- 3 Press LIST/INPUT.**  
The song list screen is displayed.
- 4 Press [6] (NEXT ▶).**  
The playlist name is displayed.
- 5 Turn the Rotary encoder to select desired playlist, then press the Rotary encoder.**  
The selected playlist will be played back repeatedly.

### Controlling from the IVA-D300 model

- 1 Touch [P1/3] on the function guide to change to [P3/3].**  
The disc number is displayed.
- 2 Touch [DISC 1].**  
The playlist search mode is selected.
- 3 Touch [P3/3] to change to [P1/3].**  
The function guide changes.
- 4 Touch [☐] on the function guide.**  
The song list screen is displayed.
- 5 Touch [➤➤] of any song.**  
The playlist search mode is entered, then the playlist screen appears.
- 6 Touch [▶] of the desired playlist name.**  
The selected playlist will be played back repeatedly.

## Searching by artist name

### Controlling from the CDA-9835/CDA-9833/ CDA-9831/CDA-9830/CDA-9827/CDA-9826/CDA- 9825/CDA-9820XM models

- 1 Press 2.**  
The artist search mode is selected.
- 2 Press [☐] (SEARCH) to enter the file search mode.**  
The artist name is displayed.  
File search mode ↔ Folder search mode.

- 3 Within 10 seconds, select an artist by turning the Rotary encoder, then press the Rotary encoder.**  
All songs of the selected artist will be played back repeatedly.  
The search mode will be automatically changed to the album search mode, and the disc number is displayed as 3.
- 4 To search for an album of a selected artist, repeat the operations in steps 2 and 3.**  
All songs of the selected album will be played back repeatedly.
- 5 To search for song by a selected artist or album, change from the file search mode to folder search mode by pressing [☐] (SEARCH) again, and repeat the operation in step 3.**  
The selected song will be played back repeatedly.

### Controlling from the CVA-1004 model

- 1 Press 2.**  
The artist search mode is selected.
- 2 When the monitor is open, press and hold the Rotary encoder for at least 2 seconds during playback.**  
The unit switches to file/folder search mode, and the artist/song name list is displayed.
- 3 Press and hold ▶/|| for at least 2 seconds to select file search.**  
The artist name is displayed.
- 4 Press ◀◀ or ▶▶ to select the desired artist.**
- 5 Press the Rotary encoder.**  
All songs of the selected artist will be played back repeatedly.  
The search mode will be automatically changed to the album search mode, and the disc number is displayed as 3.
- 6 To search for an album by the selected artist, repeat the operations in steps 2 through 5.**  
All songs of the selected album will be played back repeatedly.
- 7 To search for a song in a selected artist or album, change to the folder search mode by the operations in steps 2 and 3. Select the desired song by the operations in steps 4 and 5.**  
The selected song will be played back repeatedly.

### Controlling from the IVA-D901 model

- 1 Press [7] (Page 1/3) twice.**  
The Function Guide display changes.
- 2 Press [2] (DISC2).**  
The artist search mode is selected.
- 3 Press LIST/INPUT.**  
The song list screen is displayed.
- 4 Press [6] (NEXT ►).**  
The artist name is displayed.
- 5 Turn the Rotary encoder to select desired artist, then press the Rotary encoder.**  
All songs of the selected artist will be played back repeatedly.  
The search mode will be automatically changed to the album search mode, and the disc number is displayed as 3.
- 6 To search for an album of a selected artist, repeat the operations in steps 3 through 5.**  
The song of the selected album will be played back.

### Controlling from the IVA-D300 model

- 1 Touch [P1/3] on the function guide to change to [P3/3].**  
The disc number is displayed.
- 2 Touch [DISC 2].**  
The artist search mode is selected.
- 3 Touch [P3/3] to change to [P1/3].**  
The function guide changes.
- 4 Touch [☐] on the function guide.**  
The list screen of the song is displayed.
- 5 Touch [≫] of any song.**  
The artist search mode is entered, then the artist list screen is displayed.
- 6 Touch [►] of the desired artist name.**  
All songs of the selected artist will be played back repeatedly.  
The search mode will be automatically changed to the album search mode, and the disc number is displayed as 3.
- 7 To select successive albums, repeat the operations in steps 4 through 6.**  
The songs in the selected album will be played back repeatedly.

### Searching by album name

#### Controlling from the CDA-9835/CDA-9833/ CDA-9831/CDA-9830/CDA-9827/CDA-9826/CDA- 9825/CDA-9820XM models

- 1 Press 3.**  
The album search mode is selected.
- 2 Press [☐] (SEARCH) to enter the file search mode.**  
The album name is displayed.  
File search mode ↔ Folder search mode
- 3 Within 10 seconds, select an album by turning the Rotary encoder, then press the Rotary encoder.**  
All songs of the selected album will be played back repeatedly.
- 4 To search for a song in a selected album, change to the folder search mode by pressing [☐] (SEARCH), and repeat the operation in step 3.**  
The songs in the selected album will be played back repeatedly.

#### Controlling from the CVA-1004 model

- 1 Press 3.**  
The album search mode is selected.
- 2 When the monitor is open, press and hold the Rotary encoder for at least 2 seconds during playback.**  
The unit switches to file/folder search mode, and the album/song name list is displayed.
- 3 Press and hold ►/II for at least 2 seconds to select file search.**  
The album name is displayed.
- 4 Press I◀◀ or ▶▶I to select the desired album.**
- 5 Press the Rotary encoder.**  
All songs of the selected album will be played back repeatedly.
- 6 To search for a song in a selected album, change to the folder search mode by the operations in steps 2 and 3. Select the desired song by the operations in steps 4 and 5.**  
The songs in the selected album will be played back repeatedly.

*Continued*

### Controlling from the IVA-D901 model

- 1 Press **[7] (Page 1/3)** twice.  
The Function Guide display changes.
- 2 Press **[3] (DISC3)**.  
The album search mode is selected.
- 3 Press **LIST/INPUT**.  
The song list screen is displayed.
- 4 Press **[6] (NEXT ►)**.  
The album name is displayed.
- 5 Turn the **Rotary encoder** to select desired album, then press the **Rotary encoder**.  
All songs of the selected album will be played back repeatedly.

### Controlling from the IVA-D300 model

- 1 Touch **[P1/3]** on the function guide to change to **[P3/3]**.  
The disc number is displayed.
- 2 Touch **[DISC 3]**.  
The album search mode is selected.
- 3 Touch **[P3/3]** to change **[P1/3]**.  
The function guide changes.
- 4 Touch **[☐]** on the function guide.  
The list screen of the song is displayed.
- 5 Touch **[>>]** of any song.  
The album search mode is entered, then the album list screen is displayed.
- 6 Touch **[►]** of the desired album name.  
All songs of the selected album will be played back repeatedly.

### Searching by song name

If a song is selected using the playlist/artist/album search mode, new song searches will only display songs from the current playlist/artist/album. To search all songs in the iPod, select the "iPod name" in the playlist search mode, and then perform the search.

- When the IVA-D901/IVA-D300 models are connected, a search cannot be performed by the song name.
- If the "iPod's name" contains characters not supported by the head unit's display, "NO SUPPORT" or "NO SUPRT" may be displayed for the "iPod's name."

### Controlling from the CDA-9835/CDA-9833/ CDA-9831/CDA-9830/CDA-9827/CDA-9826/CDA- 9825/CDA-9820XM models

- 1 Enter the folder search mode by pressing **[SEARCH]**.  
The song name is displayed.  
File search mode ↔ Folder search mode
- 2 Within 10 seconds, select the song name by turning the **Rotary encoder**, then press the **Rotary encoder**.  
The selected song will be played back.

### Controlling from the CVA-1004 model

- 1 When the monitor is open, press and hold the **Rotary encoder** for at least 2 seconds during playback.  
The unit switches to file/folder search mode.
- 2 Press and hold **►/II** for at least 2 seconds to select folder search.  
The song name is displayed.
- 3 Press **◀◀** or **▶▶** to select the desired song name.
- 4 Press the **Rotary encoder**.  
The selected song will be played back.

## Quick Search

You can search for songs.

- If there are more than 255 songs, they can be played back, but cannot be correctly displayed.
- When the IVA-D300/IVA-D901/CVA-1004 models are connected, the quick search function cannot be used.
- The Quick search in the iPod mode takes more time than the normal Quick search.

### Controlling from the CDA-9835/CDA-9833/ CDA-9831/CDA-9830/CDA-9827/CDA-9826/CDA- 9825/CDA-9820XM models

- 1 Press and hold **SEARCH (SEARCH/QS) [SEARCH]** for at least 2 seconds to activate Quick Search mode.
- 2 Turn the **Rotary encoder** within 10 seconds to select a desired song.  
The selected song is played back immediately.

## Random Play Shuffle (M.I.X.)

The Shuffle function of the iPod is displayed as M.I.X. on the head unit.

### Shuffle Albums:

Select an album randomly in the iPod, and plays back the songs of the album in sequential order. If a song has been selected in the playlist/artist search mode before selecting Shuffle Album, only the albums within the playlist/artist are selected randomly. The songs of the album are played back sequentially.

### Shuffle Songs:

All songs in the iPod are played back in random sequence. If a song has been selected in the playlist/artist search mode before selecting Shuffle song, only the songs of the playlist/artist/album are played back randomly.

- For details of the search mode, refer to “Searching for a desired Song” (page 7).
- If a song is selected in the album search mode before selecting Shuffle (M.I.X.), the songs will not play back randomly even when Shuffle album is selected.
- If there is no album in the playlist, Shuffle (M.I.X.) will not function even when Shuffle album is selected.
- *When connected to the adapter, the Shuffle function of the iPod is canceled and set to OFF.*
- *When using the IVA-D300 model, the Shuffle (M.I.X.) function cannot be used.*

### Controlling from the CDA-9835/CDA-9833/ CDA-9831/CDA-9830/CDA-9827/CDA-9826/CDA- 9825/CDA-9820XM models.

#### 1 Press F or F/SETUP.

The FUNC indicator lights.

- *When CDA-9835 is connected, the M.I.X./REPEAT/SCAN function guide is displayed.*
- *When CDA-9827/CDA-9826/CDA-9825/CDA-9820XM is connected, press F/SETUP. The underlined portion of the “FUNC” indicator lights.*

#### 2 Press 5 (⌂) within 5 seconds.

The songs will be played back in random sequence.

⌂ M.I.X. or ⌂ M.I.X. → Ⓞ M.I.X. → (off)  
(Shuffle Albums) (Shuffle Songs)

#### 3 To cancel M.I.X. play, select (off) with the above procedure.

### Controlling from the CVA-1004 model

#### 1 Press FUNC.

The FUNC indicator lights.

#### 2 Within 5 seconds, press 4 (⌂) in the play or pause mode.

The songs will be played back in random sequence.

M.I.X. → (off) → M.I.X.  
(Shuffle Songs) (Shuffle Songs)

#### 3 To cancel M.I.X. play, select (off) with the above procedure.

- *ALL M.I.X. (Shuffle Albums) cannot be selected.*

### Controlling from the IVA-D901 model

#### 1 Press 5 (M.I.X.) in the play or pause mode.

The files will be played back in a random sequence.

M.I.X. → (off) → M.I.X.  
(Shuffle Songs) (Shuffle Songs)

#### 2 To cancel M.I.X. play, press 5 (M.I.X.) again.

- *M.I.X. FLDR (Shuffle Albums) cannot be selected.*

## Repeat Play

Only Repeat One is available for the iPod.

Repeat One: A single song is repeatedly played back.

- *During repeat playback, no other songs are selectable by pressing or touching ⏮ or ⏭.*
- *When connected to the adapter, the repeat function of the iPod is canceled, and changed to Repeat All.*

### Controlling from the CDA-9835/CDA-9833/ CDA-9831/CDA-9830/CDA-9827/CDA-9826/CDA- 9825/CDA-9820XM models

#### 1 Press F or F/SETUP.

The FUNC indicator lights.

- *When CDA-9835 is connected, the M.I.X./REPEAT/SCAN function guide is displayed.*
- *When CDA-9827/CDA-9826/CDA-9825/CDA-9820XM is connected, press F/SETUP. The underlined portion of the “FUNC” indicator lights.*

#### 2 Press 4 (↺) within 5 seconds.

The file will be played repeatedly.

RPT → (off) → RPT  
(Repeat One) (Repeat One)

#### 3 To cancel repeat play, select (off) with the above procedure.

*Continued*

### Controlling from the CVA-1004 model

- 1 Press FUNC.**  
The FUNC indicator lights.
- 2 Press 5 (↶) within 5 seconds.**  
The songs will be played back repeatedly.  
REPEAT → (off) → REPEAT  
(Repeat One) (Repeat One)
- 3 To cancel repeat play, select (off) with the above procedure.**

### Controlling from the IVA-D901 model

- 1 Press 4 (REPEAT) to play back repeatedly the song being played.**  
The song will be played repeatedly.  
REPEAT → (off) → REPEAT  
(Repeat One) (Repeat One)
- 2 Press 4 (REPEAT) again and select (off) to deactivate the repeat play.**

### Controlling from the IVA-D300 model

- 1 Touch [P1/3] on the function guide to change to [P2/3].**  
The function guide changes.
- 2 Touch [↶] and select the desired Repeat play.**  
The song will be played repeatedly.  
RPT → (off) → RPT
- 3 Touch [↶] again and select (off) to deactivate Repeat play.**

## Displaying the Text

You can display the playlist name, or the tag information of a song in the iPod.

The type of characters (number/letter, etc.) and the display order differs depending on the head unit. Refer to "Displaying the Title/Text" of the head unit's Owner's Manual.

**The iPod data is displayed in the same way as MP3 data, with some minor differences.**

Head Unit and iPod display indications (only the differences are displayed)

Head Unit	iPod
Folder No.	File No.*
File No.	(1) Fixed display
Folder Name	"----" fixed display
File Name	"iPod" fixed display
Frame	Not displayed**

\* The maximum file number that can be displayed is 255. Any file beyond 255 is still displayed as 255.

\*\* Though the numeric value displayed differs from the actual sampling or bit rate (depending on head unit), this is not a malfunction.

- Only alphanumeric characters (ASCII) can be displayed.
- When the artist name, album name, or song name is set on iTunes, and the amount of characters is increased, songs may not be played back when connected to the unit. Therefore, a maximum of 250 characters is recommended. The maximum number of characters for the head unit is 64 (64 byte).
- After setting the ignition to ACC, ON or OFF, or reconnecting the iPod to the adapter, when the first song is played back, the artist name, album name or song name may not be correctly displayed.
- Some characters may not be correctly displayed.
- "NO SUPPORT" or "NO SUPRT" is displayed when text information is not compatible with the adapter. (The display differs depending on the head unit.)

### Controlling from the CDA-9835/CDA-9833/ CDA-9831/CDA-9830/CDA-9827/CDA-9826/CDA- 9825/CDA-9820XM/CVA-1004 models

- 1 Press TITLE (⊖) or DISP/TITLE (⊖).**  
The playlist name or the tag information is displayed.

# Information

## In Case of Difficulty

### iPod™

When reconnecting the iPod to the adapter, “**DISC CHECK (DISC CHK)**” remains displayed on the head unit, and playback does not start. (The display differs depending on the head unit.)

- Disconnect the iPod from the adapter (the iPod is reset). When the adapter is reconnected, confirmation appears in the display. For details on the iPod reset, refer to the iPod’s documentation.

**Charging does not occur although the iPod is connected to the adapter.**

- If the iPod’s battery remains too low, it cannot be charged even when connected to the adapter.
  - Refer to iPod’s documentation, and charge the battery.
- Charging from the adapter does not occur although the battery is in the iPod.
  - Consult your nearest Alpine dealer.

### Indication for iPod Mode

**The display may differ on head units sold as of January 2005. Refer to the Owner’s Manual specific to the head unit.**

**NO MAGZN**

**NO MAGZINE**

**NO MAGAZINE**

(The indication differs depending on the head unit.)

- The iPod is not connected.
  - Make sure the iPod is correctly connected (refer to “Connections”).  
Make sure the cable is not bent excessively.
- The iPod’s battery remains low.
  - Refer to the iPod’s documentation and charge the battery.

**NO DISC**

- There are no songs in the iPod.
  - Download songs to the iPod and connect to the adapter.

**NO SUPRT**

**NO SUPPORT**

(The display differs depending on the head unit.)

- Text information that is not compatible with the adapter has been input.
  - Play back a song whose input text information is compatible with the adapter.

**ERROR01**

**ERROR 01**

**ERROR-01**

(The indication differs depending on the head unit.)

- Communication error
  - Turn the ignition key off, and then set to ACC or ON again.
  - Check the display by reconnecting between the iPod and the adapter, using the iPod cable.

**ERROR02**

**ERROR 02**

**ERROR-02**

(The indication differs depending on the head unit.)

- Caused by the iPod Software Version not being compatible with the adapter.
  - Refer to “About the adapter-compatible iPod™” (this page), and update the iPod Software Version to be compatible with the adapter.

## About the adapter-compatible iPod™

An iPod with a touchwheel or scrollwheel is not compatible with the dock connector, and therefore cannot be connected to the adapter.

The adapter does not support software versions prior to iPod Update 2004-04-28.

For supported versions, consult your nearest ALPINE dealer.

- For details on “iPod Software,” refer to iPod’s documentation.

## Specifications

### External dimensions

Wide	99.2 mm (3-15/16")
Height	35 mm (1-3/8")
Depth	140 mm (5-1/2")
<b>Weight</b>	<b>0.35 kg (12 oz)</b>

*Apple, the Apple logo and iPod are trademarks of Apple Computer, Inc., registered in the U.S. and other countries.*



# LIMITED WARRANTY

ALPINE ELECTRONICS OF AMERICA, INC. AND ALPINE OF CANADA INC. ("Alpine"), are dedicated to quality craftsmanship and are pleased to offer this Warranty. We suggest that you read it thoroughly. Should you have any questions, please contact your Dealer or Alpine at one of the telephone numbers listed below.

## ● PRODUCTS COVERED:

This Warranty covers Car Audio/Visual Products and Related Accessories ("the product"). Products purchased in the Canada are covered only in the Canada. Products purchased in the U.S.A. are covered only in the U.S.A.

## ● LENGTH OF WARRANTY:

This Warranty is in effect for one year from the date of the first consumer purchase.

## ● LIFETIME TAPE HEAD WARRANTY:

All Alpine Car Audio analog tape heads excluding Video tape heads are warranted for life against manufacturing defects causing failure.

## ● WHO IS COVERED:

This Warranty only covers the original purchaser of the product, who must reside in the United States, Puerto Rico or Canada.

## ● WHAT IS COVERED:

This Warranty covers defects in materials or workmanship (parts and labor) in the product.

## ● WHAT IS NOT COVERED:

This Warranty does not cover the following:

- ① Damage occurring during shipment of the product to Alpine for repair (claims must be presented to the carrier).
- ② Damage caused by accident, abuse, negligence, misuse, improper connections, improper operation or failure to follow instructions contained in the Owner's manual.
- ③ Damage caused by act of God, including without limitation, earthquake, fire, flood, storms or other acts of nature.
- ④ Any cost or expense related to the removal or reinstallation of the product.
- ⑤ Service performed by an unauthorized person, company or association.
- ⑥ Any product which has the serial number defaced, altered or removed.
- ⑦ Any product which has been adjusted, altered or modified without Alpine's consent.
- ⑧ Any product not distributed by Alpine within the United States, Puerto Rico or Canada.
- ⑨ Any product not purchased from an Authorized Alpine Dealer.
- ⑩ Any product that has been determined to contain an excessive amount of dust or dirt and any product that contains other contaminants including liquid or foreign objects.

## ● HOW TO OBTAIN WARRANTY SERVICE:

- ① You are responsible for delivery of the product to an Authorized Alpine Service Center or Alpine for repair and for payment of any initial shipping charges. Alpine will, at its option, repair or replace the product with a new or reconditioned product without charge. If the repairs are covered by the warranty, and if the product was shipped to an Authorized Alpine Service Center or Alpine, Alpine will pay the return shipping charges.

- ② You should provide a detailed description of the problem(s) for which service is required.
- ③ You must supply proof of your purchase of the product.
- ④ You must package the product securely to avoid damage during shipment.

## ● HOW WE LIMIT IMPLIED WARRANTIES:

ANY IMPLIED WARRANTIES INCLUDING FITNESS FOR USE AND MERCHANTABILITY ARE LIMITED IN DURATION TO THE PERIOD OF THE EXPRESS WARRANTY SET FORTH ABOVE AND NO PERSON IS AUTHORIZED TO ASSUME FOR ALPINE ANY OTHER LIABILITY IN CONNECTION WITH THE SALE OF THE PRODUCT.

## ● HOW WE EXCLUDE CERTAIN DAMAGES:

ALPINE EXPRESSLY DISCLAIMS LIABILITY FOR INCIDENTAL AND CONSEQUENTIAL DAMAGES CAUSED BY THE PRODUCT. THE TERM "INCIDENTAL DAMAGES" REFERS TO EXPENSES OF TRANSPORTING THE PRODUCT TO THE ALPINE SERVICE CENTER, LOSS OF THE ORIGINAL PURCHASER'S TIME, LOSS OF THE USE OF THE PRODUCT, BUS FARES, CAR RENTALS OR OTHERS COSTS RELATING TO THE CARE AND CUSTODY OF THE PRODUCT. THE TERM "CONSEQUENTIAL DAMAGES" REFERS TO THE COST OF REPAIRING OR REPLACING OTHER PROPERTY WHICH IS DAMAGED WHEN THIS PRODUCT DOES NOT WORK PROPERLY. THE REMEDIES PROVIDED UNDER THIS WARRANTY ARE EXCLUSIVE AND IN LIEU OF ALL OTHERS.

## ● HOW STATE/PROVINCIAL LAW RELATES TO THE WARRANTY:

This Warranty gives you specific legal rights, and you may also have other rights which vary from state to state and province to province. In addition, some states/provinces do not allow limitations on how long an implied warranty lasts, and some do not allow the exclusion or limitation of incidental or consequential damages. Accordingly, limitations as to these matters contained herein may not apply to you.

## ● IN CANADA ONLY:

This Warranty is not valid unless your Alpine car audio product has been installed in your vehicle by an Authorized Installation Center, and this warranty stamped upon installation by the installation center.

## ● HOW TO CONTACT CUSTOMER SERVICE:

Should the product require service, please call the following number for your nearest Authorized Alpine Service Center.

U.S.A.	1-800-ALPINE-1 (1-800-257-4631)
CANADA	1-800-ALPINE-1 (1-800-257-4631)

Alpine Electronics of America, Inc., 19145 Gramercy Place, Torrance, California 90501, U.S.A.

Alpine Electronics of Canada, Inc., Suite 203, 7300 Warden Ave. Markham, Ontario, L3R 9Z6, Canada