

MARINE PORTABLE MEDIA DEVICE DOCK MS-DKIPUSB

THE MARINE PORTABLE MEDIA DEVICE DOCK IS COMPATIBLE WITH THE FUSION MS-RA200 MARINE STEREO.

- » The MS-DKIPUSB features an internal iPod/iPhone dock, two USB Ports and a composite video out connection for iPod/iPhone video playback (must be connected to a compatible monitor or TV).
- » USB Data Storage Devices must be formatted as Fat32 to ensure playback of your music files.

INSTALLATION GUIDELINES

BULKHEAD MOUNT

- » Cut mounting hole as per supplied template.
- » Open the front panel cover and feed the Marine Dock for iPod through the front cover, as shown in fig 1.
- » Fit mounting gasket.
- » Attach the Dock to the bulkhead using the screws provided.

WALL MOUNT

Attach the dock to any flat surface as illustrated in fig 2, using the two screws provided. This mounting option is suitable for interior installation where the dock is not exposed to the marine elements. The dock connects directly to the Marine Stereo, via the white USB connector.

DOCK SLEEVES

A different set of dock sleeves are used for each iPod model. The different dock sleeve combinations are outlined in the chart below:

iPod	Top Sleeve	Bottom Sleeve
iPod with video, 30GB	A	A
iPod with video, 60GB 80GB	A	B
iPod classic, 80GB	B	A
iPod classic, 160GB (2007)	B	B
iPod classic, 120GB	B	A
iPod classic, 160GB (2009)	B	A
iPod touch,	D	D
iPod touch, 2nd gen	D	D
iPod touch, 2nd gen (2009)	D	A
nano, 3rd Gen	A	A + adapter
nano, 4th Gen	E	E
nano, 5th Gen	G	G
iPhone,	F	F
iPhone 3G,	F	F
iPhone 3GS	F	F

Please note: For the iPod nano (Gen 3), the iPod must be placed inside the adapter sleeve, and then placed inside Dock sleeve combination A.

Please note: Place the sleeves inside the dock before inserting your iPod.

fig 1

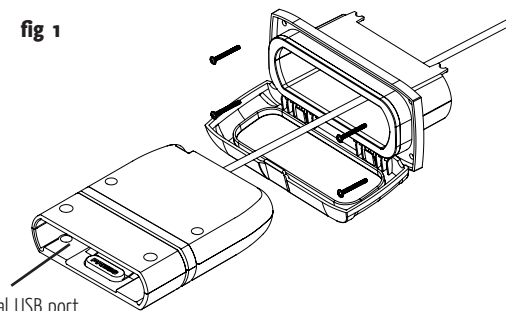


fig 2

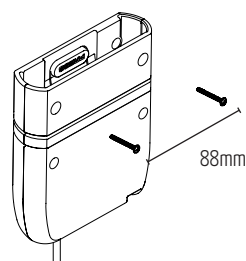
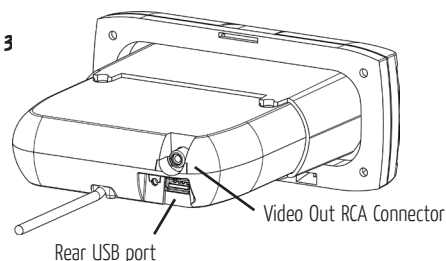


fig 3



RECORD YOUR PURCHASE DETAILS HERE:

SERIAL NUMBER

DATE OF PURCHASE

AFFIX RECEIPT HERE

