

INSTALLATION MANUAL
VEHICLE SECURITY SYSTEM
CE-SS200

FUSION[®]

FUSION CULTURE

There's no point doing something if no one notices. We've always believed the way to make things happen is by getting noticed. From our product, to our demo cars, to our events, FUSION is about making some noise.

Now you are ready. Step out of the shadows and announce you've arrived in a world where the old limits are left behind. Where technology is creatively combined with the latest in product innovation. Where new levels of entertainment are delivered with outstanding performance and quality. Our development team create distinctively different products; subwoofers, amplifiers, speakers and peripherals that redefine what can be done in car audio.

Leave the old behind and push the limits of what can be achieved in car audio. Make some noise.

For more information about FUSION Electronics visit our website at www.fusionelectronics.com or email technical@fusionelectronics.co.nz

PROFESSIONAL INSTALLATION STRONGLY RECOMMENDED

Installation Precautions:

1. Roll down window to avoid locking keys in vehicle during installation
2. Avoid mounting components or routing wires near hot surfaces
3. Avoid mounting components or routing wires near moving parts
4. Tape or loom wires under hood for protection and appearance
5. Use grommets when routing wires through metal surfaces
6. Use a voltmeter for testing and verifying circuits

TABLE OF CONTENTS

- PROGRAMMING REMOTES pg 4
- ALARM FEATURES PROGRAMMING pg 5
- ADJUSTING THE SENSITIVITY LEVEL pg 8
- WIRING DIAGRAMS..... pg 9
- CENTRAL LOCKING DIAGRAMS pg 11
- SPECIFICATIONS pg 15

RECORD YOUR PRODUCT DETAILS HERE:

MODEL NUMBER _____ DATE OF PURCHASE _____

AFFIX RECEIPT HERE

PROGRAMMING REMOTES



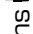
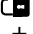
1. Turn the ignition switch 'OFF/ON' 3 times (within 15 seconds) and leave in the ON position.
2. Push the valet switch 3 times, and hold on the 3rd push until a long chirp is heard from the siren, and then release the valet switch. You are now in the remote programming mode.
3. Press and hold any button of the remote until the siren responds with a confirming chirp, this indicates the remote has been stored into memory.
4. If you have additional remotes (up to 4 in total) that need to be programmed, repeat step 3 for each remote.

Exit Programming: Turn ignition to 'OFF' position, or wait for 15 seconds. Three long chirps and three indicator light flashes will confirm exit.





Note: This mode will only retain the last 4 remote transmitters programmed. If the remote memory is exceeded, the security system will start deleting remote's from memory in chronological order.

ALARM FEATURES PROGRAMMING:

ALARM FEATURE "1" PROGRAMMING:

1. Turn the ignition 'switch 'ON/OFF' 3 times (within 15 seconds) and leave in the OFF position on the 3rd time.
2. Push the valet switch twice, and hold on the 2nd push until one short chirp, followed by one long chirp is heard then release the valet switch. You are now in the alarm feature "1" programming mode.
3. **A;** Press and release the remote button  corresponding to the feature '1' to be changed.
The siren will chirp and the LED will indicate the new setting
B; Press and release the remote button  corresponding to the feature '2' to be changed.
The siren will chirp and the LED will indicate the new setting
C; Press and release the remote buttons  +  corresponding to the feature '3' to be changed.
The siren will chirp and the LED will indicate the new setting

Note: The factory default setting is always [1] LED flash, [1] chirp.

| Press remote button | One Chirp / LED one flash Factory Default Setting | Two Chirps / LED two flashes |
|--|---|-----------------------------------|
| 1  | Chirps on | Chirps off |
| 2  | Automatic Rearm On | Automatic Rearm Off |
| 3  +  | Instant Door Ajar Warning | 45 second Delay Door Ajar warning |

Exit Programming: Turn ignition to 'ON' position, or wait 15 seconds. Three long chirps will confirm exit.

ALARM FEATURE "II" PROGRAMMING:

1. Turn the Ignition 'switch 'ON/OFF' 3 times (within 15 seconds), and leave in the OFF position.
2. Push the valet switch 4 times and hold on the 4th push until two short chirps and one long chirp is heard, and then release the valet switch. You are now in the alarm feature 'II' programming mode.
3. **A;** Press and release the remote button **6** corresponding to the feature '1' to be changed. The siren will chirp and the LED will indicate the new setting.
B; Press and release the remote button **6** corresponding to the feature '2' to be changed. The siren will chirp and the LED will indicate the new setting.
C; Press and release the remote buttons **6** + **6** corresponding to the feature '3' to be changed. The siren will chirp and the LED will indicate the new setting.

Note: The factory default setting is always [1] LED flash, [1] chirp.

| | | | |
|-----------------------|---|--|--|
| Press remote button | One Chirp / LED one pulse Factory Default Setting | Two Chirps / LED two flashes | Three Chirps / LED three flashes |
| 1 6 | 0.9 - second door lock pulses | 3.0 - second door lock pulse | double pulse unlock |
| 2 6 | Active arming | Passive arming without passive door locking | Passive arming with passive door locking |
| 3 6 + 6 | Ignition controlled door locks & unlocks | Without ignition controlled door locks & unlocks | |

Exit Programming: Turn ignition to 'ON' position, or wait for 15 seconds. Three long chirps will confirm exit.

ALARM FEATURE "III" PROGRAMMING:

1. Turn the ignition 'switch 'ON/OFF' 3 times (within 15 seconds), and leave in the OFF position.
2. Push the valet switch 6 times and hold on the 6th push until three short chirps and one long chirp is heard, and then release the valet switch. You are now in the Alarm feature 'III' programming mode.
3. **A;** Press and release the remote button **6** corresponding to the feature '1' to be changed. The siren will chirp and the LED will indicate the new setting.
B; Press and release the remote button **6** corresponding to the feature '2' to be changed. The siren will chirp and the LED will indicate the new setting.
C; Press and release the remote buttons **6** + **6** corresponding to the feature '3' to be changed. The siren will chirp and the LED will indicate the new setting.

Note: The factory default setting is always [1] LED flash, [1] chirp.

| | | |
|-----------------------|---|---|
| Press remote button | One Chirp / LED one pulse Factory Default Setting | Two Chirps / LED two flashes |
| 1 6 | | Shock sensor program mode |
| 2 6 | Grey wire = trunk/boot (Channel 3) output | Grey wire = two step door unlock output |
| 3 6 + 6 | Anti car jacking off | Anti car jacking on |

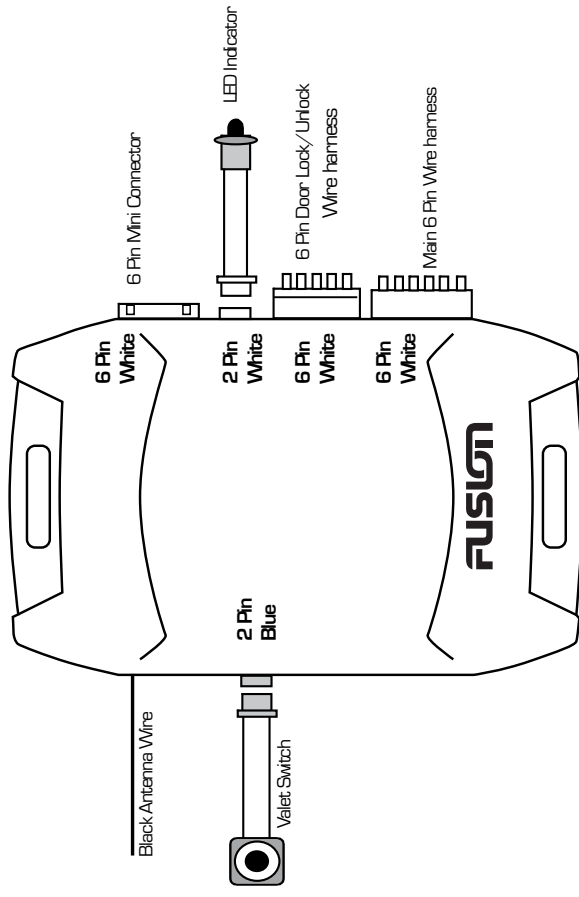
Exit Programming: Turn Ignition to 'ON' position, or wait for 15 seconds. Three long chirps will confirm exit.

ADJUSTING THE SENSITIVITY LEVEL OF THE SHOCK SENSOR

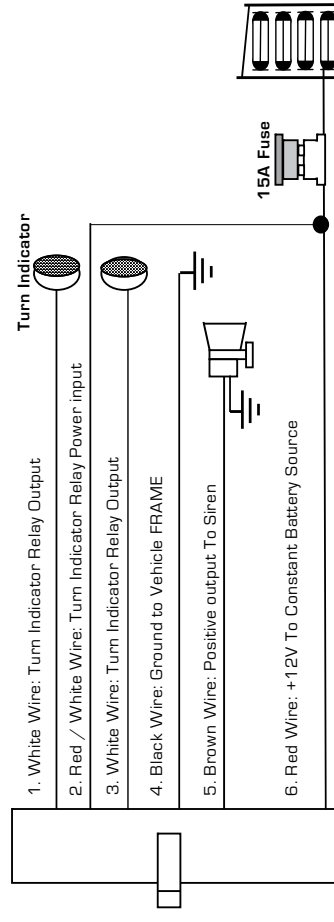
1. Turn the ignition 'switch 'ON/OFF' 3 times (within 15 seconds) and leave in the OFF position.
2. Push the valet switch 6 times and hold on the 6th push until three short chirps and one long chirp is heard, and then release the valet switch. You are now in the alarm feature 'Shock Sensor' programming mode.
3. Press and hold **6** button for 2 seconds. One long siren chirp will indicate the unit is ready to accept adjustments of the second stage of the shock sensor (full alarm).
4. Pressing the **6** button on the remote once will decrease the sensitivity level by one, each time a decrease is made the siren will respond with one chirp, while 2 chirp's indicates the minimum sensitivity setting.
5. Pressing **6** button on the remote once will increase sensitivity level by one, each time an increase is made the siren will respond with one chirp, while 2 chirp's indicates the maximum sensitivity setting.
6. Hit the bumper or strong metal part of the vehicle to test the threshold level of the sensor.
 - a). Activate the warn-away (first stage of the shock sensor), the siren will emit a short chirp.
 - b). Activate the full alarm (second stage of the shock sensor), the siren will emit a long chirp.
7. When you are satisfied with the second stage of the shock sensor settings, press and hold **6** and **6** buttons simultaneously for 2 seconds. Two long siren chirps will indicate the unit is ready to accept adjustments of the first stage of the shock sensor (warn-away).
8. Follow the steps 4, 5 and 6 to adjust the warn-away sensitivity.
9. When you are satisfied with the setting, press **6** and **6** buttons simultaneously. One long siren chirp indicates the unit has confirmed the setting.

Note: If 20 seconds of inactivity expire, or the ignition is turned on during the above steps, the unit will exit the programming mode and return to the disarmed mode. Three long chirps will confirm exit.

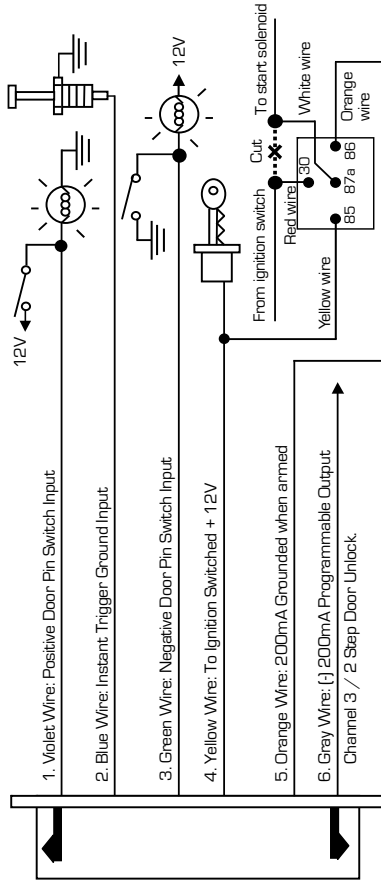
WIRING DIAGRAM



A: MAIN 6 PIN WIRE HARNESS:



B: 6 PIN MINI CONNECTOR WIRE HARNESS:



C: 6 PIN DOOR LOCK/UNLOCK WIRE HARNESS:

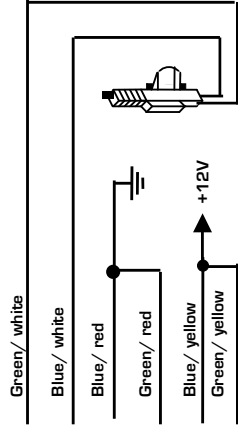
[See central locking diagrams]

| |
|--|
| Blue/Red Wire: [87a] - Door Unlock Relay |
| Blue/White Wire: [30] - Door Unlock Relay |
| Blue/Yellow Wire: [87] - Door Unlock Relay |
| Green/Red Wire: [87a] - Door Lock Relay |
| Green/White Wire: [30] - Door Lock Relay |
| Green/Yellow Wire: [87] - Door Lock Relay |

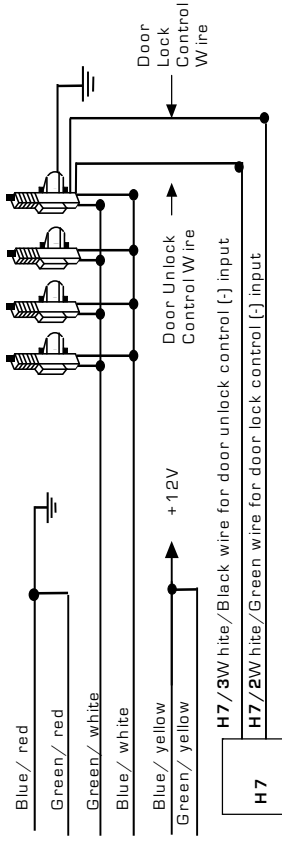
A: CENTRAL LOCKING DIAGRAMS

[After market Door Motors]

INSTALLING DOOR LOCK MOTORS (2 WIRE)



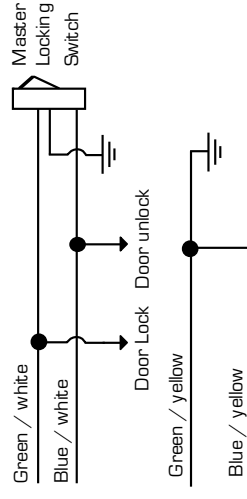
INSTALLING 4 DOOR LOCK MOTORS (WITH 5-WIRE LOCK MOTOR)



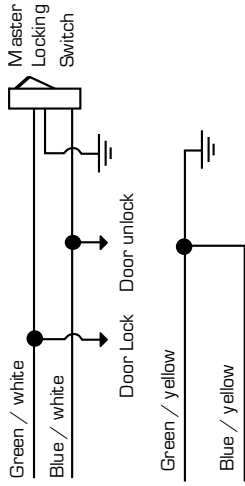
B: CENTRAL LOCKING DIAGRAMS

[Factory Door Locking System]

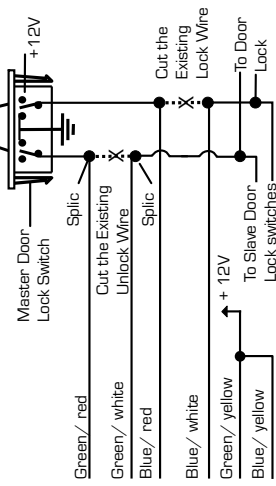
NEGATIVE TRIGGER DOOR LOCK SYSTEM



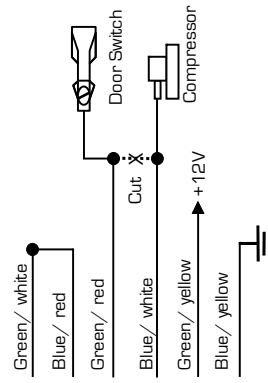
POSITIVE TRIGGER DOOR LOCK SYSTEM



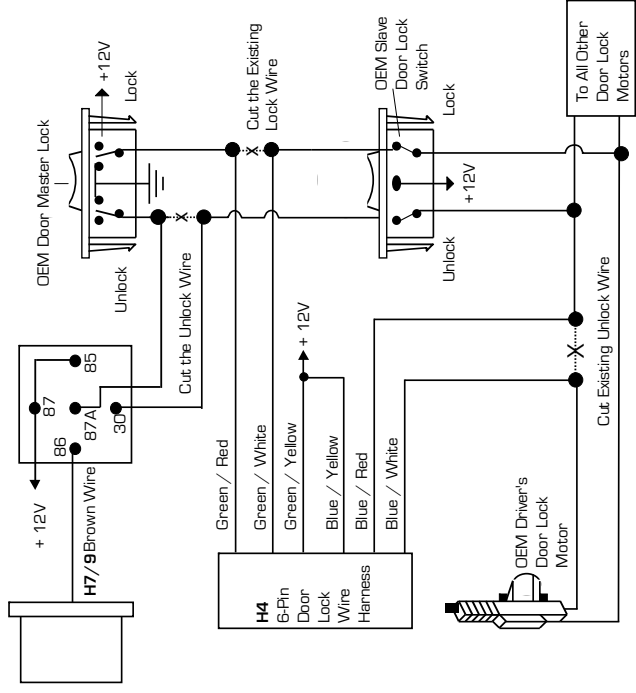
ALTERNATING DOOR LOCKS



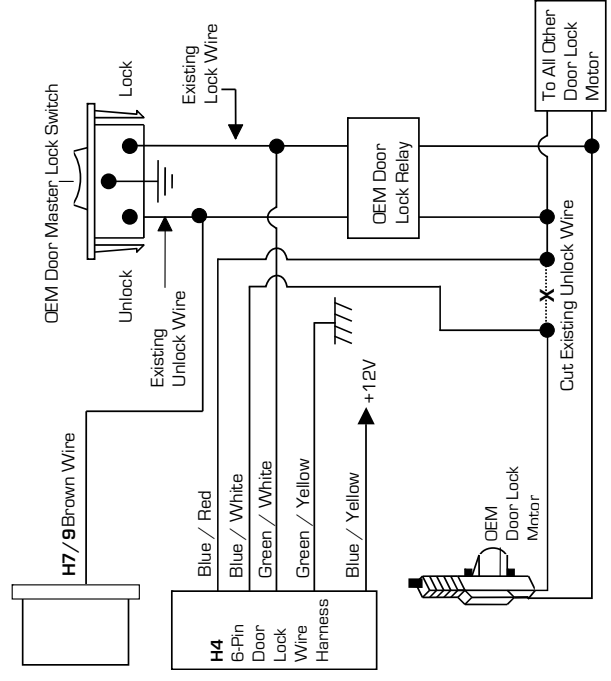
VACUUM OPERATED DOOR LOCKING SYSTEM



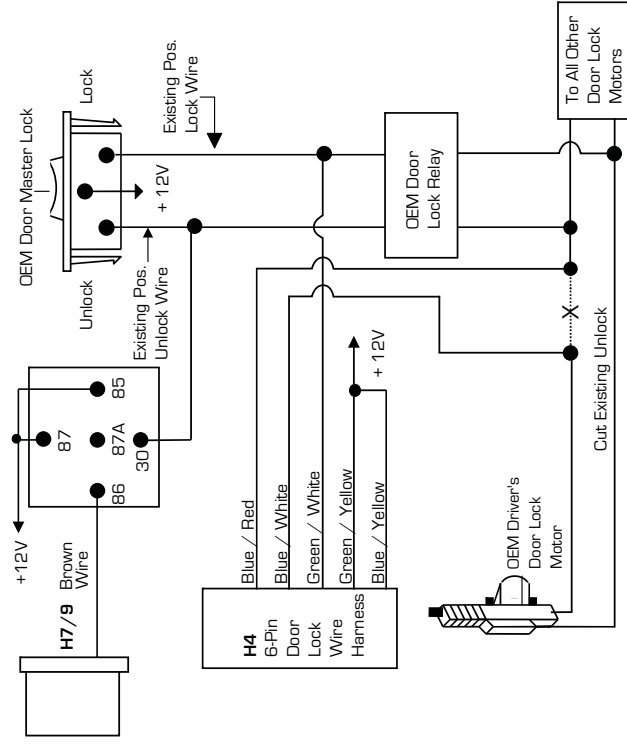
2 STEP DOOR UNLOCK WIRE CONNECTIONS FOR 5 WIRE ALTERNATING DOOR LOCKS



2 STEP DOOR UNLOCK WIRE CONNECTIONS FOR GROUND SWITCHED DOOR LOCKS



2 STEP DOOR UNLOCK WIRE CONNECTIONS FOR POSITIVE SWITCHED DOOR LOCKS



SPECIFICATIONS:

Power supply: 10VDC – 16VDC
 Operating temperature: -40 °C – +80 °C (-40 °F – +176 °F)
 TX Frequency: 433.92 MHz

POWER CONSUMPTION:

Indicator light flash output: 15 Amp
 Door Lock: 10 Amp
 Door Unlock: 10 Amp
 Security system (disarmed): 15 mA

Note: Remote control range is dependant on weather conditions and alarm installation.

THE FUSION CE-SS200 SECURITY SYSTEM COMPLIES WITH:

FCC:

This device complies with part 15 of the FCC rules. Operation is subject to the following two conditions.

- (1) This device may not cause harmful interference, and
- (2) This device must accept any interference received, including interference that may cause undesired operation.



Unit - 1850000

Unit - 1850000