

Uniden[®]

AM-CB RADIO TRANSCEIVER

PRO630XL

OWNER'S MANUAL

Contents

Introduction	
Features	3
Preventive Maintenance.....	4
Troubleshooting.....	4
Controls / Connectors.....	5
Indicators.....	8
Included with Your AM CB Radio.....	9
Optional Accessories	10
DIN-E Installation.....	11
Connecting the Microphone.....	13
Mounting the MIC Hanger	14
Operation	
Turning on the Power	16
Setting the Manual Squelch	16
Selecting a Channel.....	17
Programming the Instant Priority Channel	18
Recalling the Instant Priority Channel.....	18
Transmitting.....	18
Call Function	18
Dual Watch.....	18
Scanning	19
Open Scan (OS) Mode.....	20
Group Scan (GS) Mode	20
Priority Watch.....	21
Add/Remove Channels from SCAN Memory	21
VOX Operation (optional VOX headset required)	22
Selecting the Call tone	22
Busy Channel Lockout	23
Roger Beep	23
Beep On/Off	24
Back Light	24
Key Lock	25
ANL (Automatic Noise Limiter).....	25
AM CB Channels & Frequencies.....	26
Warranty	27

Introduction

The Uniden PRO630XL is designed to provide you with years of trouble free service. Its rugged components and materials are capable of withstanding harsh environments. Please read this Operating Manual carefully to ensure you gain the optimum performance of the unit.



The citizen band radio service is licenced in Australia by ACMA Radio-communications (Citizen Band Radio Stations) Class Licence and in New Zealand by MED General User Licence for Citizen Band Radio and operation is subject to conditions contained in those licenses.

Features

- Transmit & Receive AM 40CH (AM-CB, TX Power 4W)
- LCD Display with Backlight
- LCD Backlight brightness control ("HI", "LO", "Off")
- Mobile DIN Size
- Front Fire Speaker
- Signal Strength/ Power Meter
- ANL - Automatic Noise Limiter
- Instant Priority Channel Programming
- One touch Instant Priority Channel recalling
- Dual Watch with Instant Priority Channel
- Group Scan and Priority Watch
- Open Scan
- Scan Channel Memory On/Off separately with Open Scan, Group Scan
- Rotary Channel Select
- Busy Channel Lock-out Function
- Roger Beep Function On/Off
- 5 Different Call Tones
- Volume Control with Power On/Off Switch
- VOX (Voice Activated Function)
- 10 Step VOX Mic sensitivity adjustment
- Front and Rear MIC Jacks for increased mounting options
- Extension Cable for Rear MIC Jack
- Rubber Bushing (dust cover) for Front MIC Jack

Introduction

Preventive Maintenance:

The following system checks should be made every six to twelve months:

- Check the Standing Wave Ratio (SWR).
- Inspect the tightness of all electrical connections.
- Inspect the antenna coaxial cable for wear or breaks on the shielding.
- Inspect the tightness of all screws and other mounting hardware.

Troubleshooting:

Should the unit malfunction or perform poorly, follow these procedures:

If the transceiver is completely inoperative: Check the power cord and fuse.

If there is trouble with receiving: Check the VOLUME control setting. Be sure the SQUELCH is adjusted properly. Possibly the radio is over-squelched.

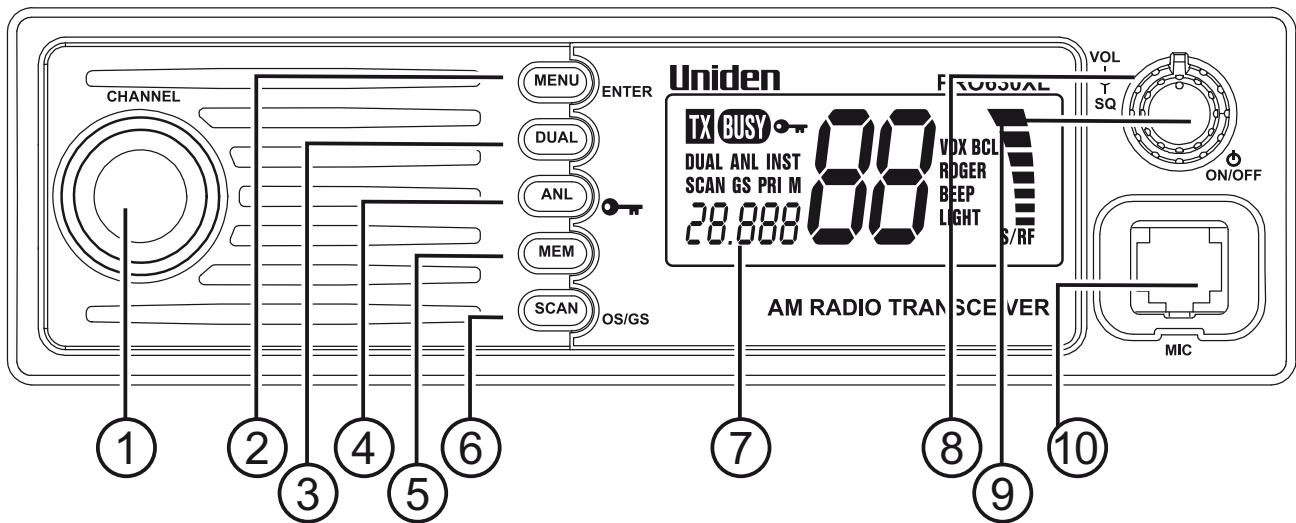
If there is trouble with transmitting: Check that the transmission line (coaxial cable) is securely connected to the ANTENNA connector. Check that the antenna is fully extended for proper operation. Check that all transmission line (coaxial cable) connections are secure and free of corrosion.



Blackening may occur on the Liquid Crystal Display if the AM CB Radio has been subjected to extreme high temperature (above 60°C). This is not a fault. Normal LCD operation resumes when the temperature stabilizes back to standard operating condition (0-55°C).

Controls/Connectors

PRO630XL Front View

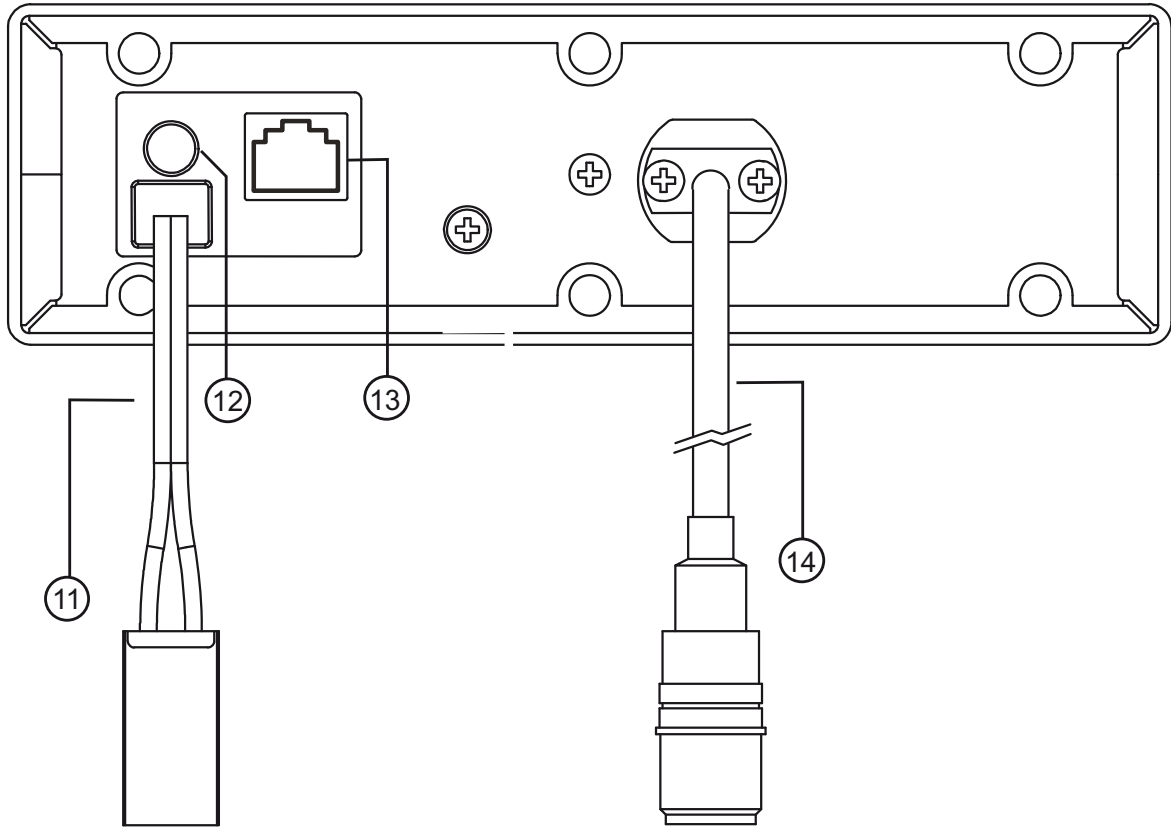


Controls and Connectors

- | | |
|--|---|
| <ol style="list-style-type: none">1. Rotary CHANNEL Selector2. MENU/ENTER - Menu and Select Button3. DUAL - Dual Watch4. ANL - Automatic Noise Limiter (🔑) - Key Lock5. MEM - Memory Scan Channels | <ol style="list-style-type: none">6. SCAN - Scan On/Off
OS/GS - Open or Group Scan7. Liquid Crystal Display (LCD)8. SQ - Rotary Squelch control9. VOL - Rotary Volume control
ON/OFF - Power On/Off control10. MIC - Front MIC Jack |
|--|---|

Controls/Connectors

PRO630XL Rear View

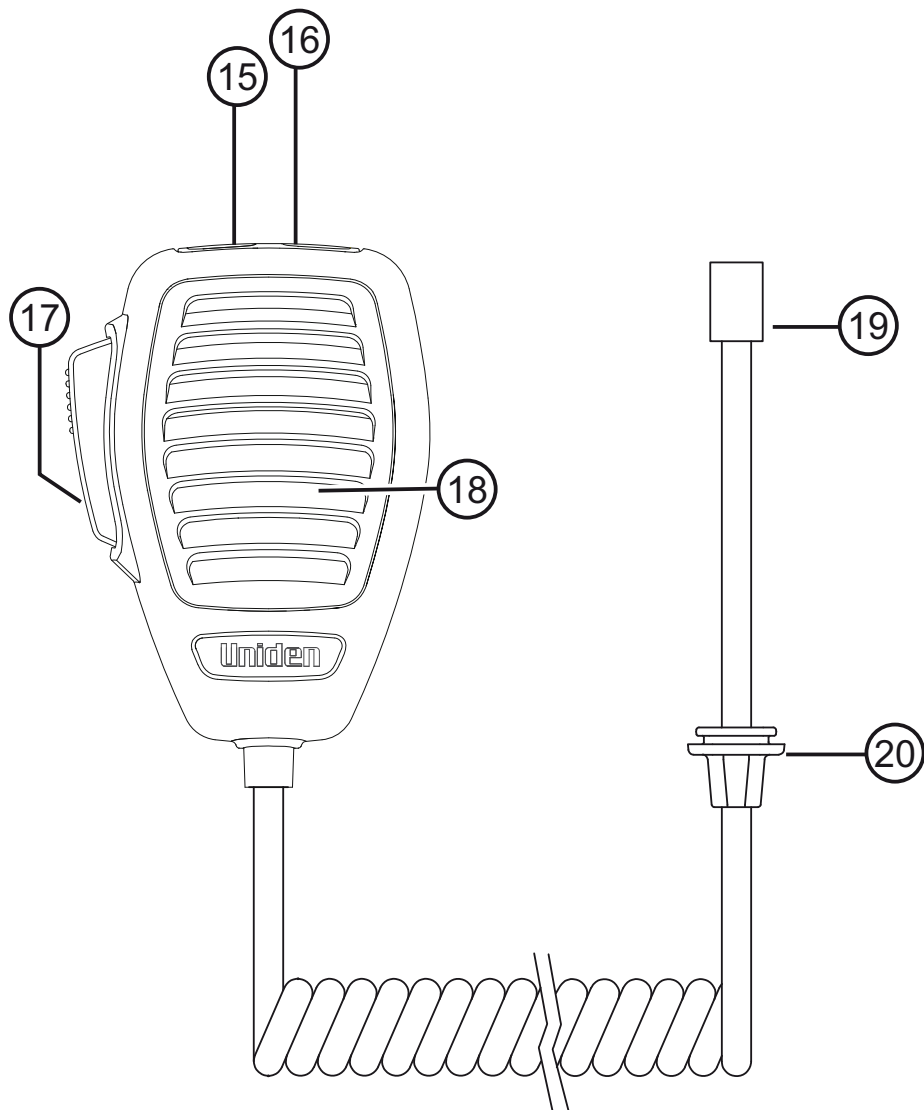


Connectors

- 11. Power Input Connection (13.8VDC)
- 12. Ext. Speaker Jack
- 13. Rear MIC Jack
- 14. AM Antenna Connection

Controls/Connectors

Standard Microphone

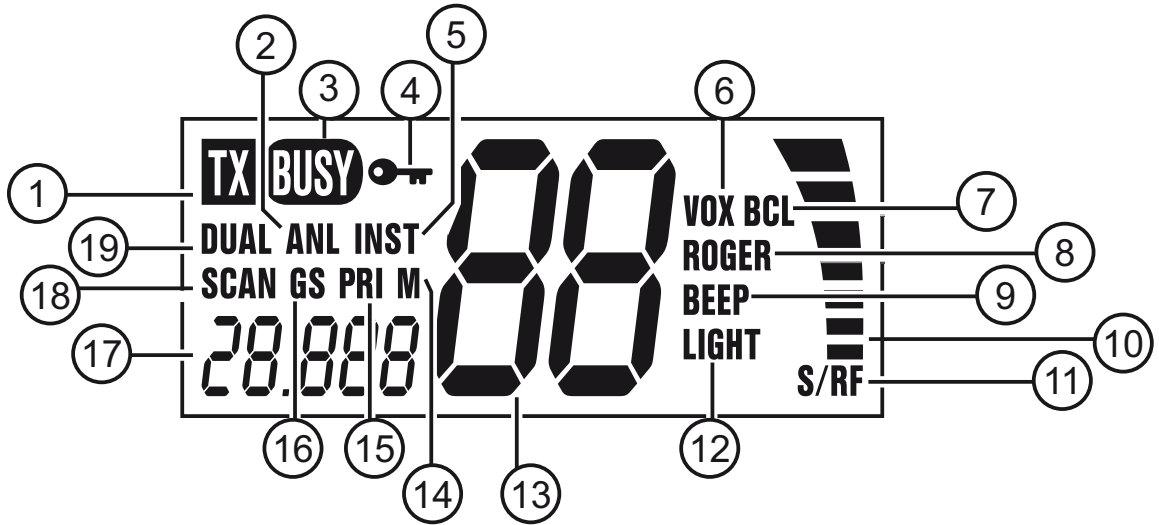


Controls and Connectors

- 15 CALL - Call Tone Button
- 16 INST - Instant Priority Channel Button
- 17 PTT - Push To Talk Button
- 18 MICROPHONE
- 19 RJ45 type plug
- 20 Front MIC Jack Cover

Indicators

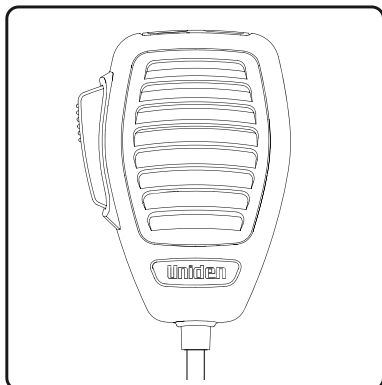
PRO630XL LCD (not to scale)



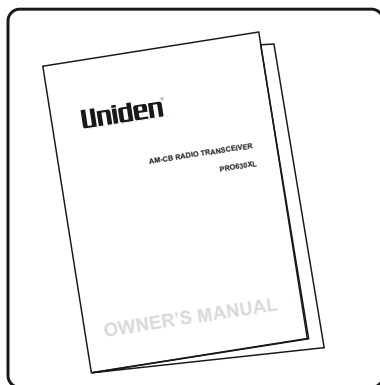
Indicators

- | | |
|---|---|
| <ul style="list-style-type: none">1. TX - Transmit2. ANL - Automatic Noise Limiter3. BUSY - Channel Active4. Key Lock - Key Lock5. INST - Instant Priority Channel6. VOX - Voice Operated Microphone7. BCL - Busy Channel Lockout8. ROGER - Roger Beep9. BEEP - Key Beep10. Signal Power Level11. S/RF - Receive Signal or Transmit12. LIGHT - LCD Backlight Brightness | <ul style="list-style-type: none">13. Channel Number14. M - Channel in Memory15. PRI - Priority Watch16. GS - Group Scan17. Channel Frequency18. SCAN - Scan mode19. DUAL - Dual Watch |
|---|---|

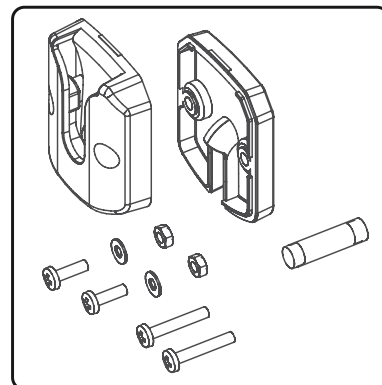
Included with your AM CB Radio



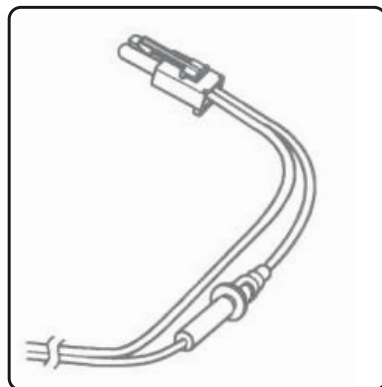
Standard Microphone



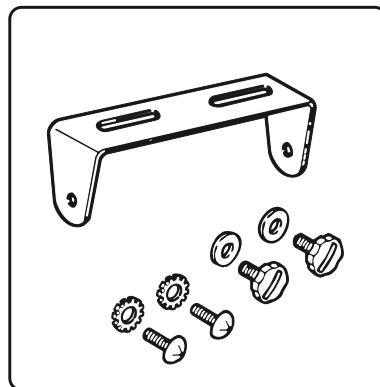
AM CB Radio Owners Manual



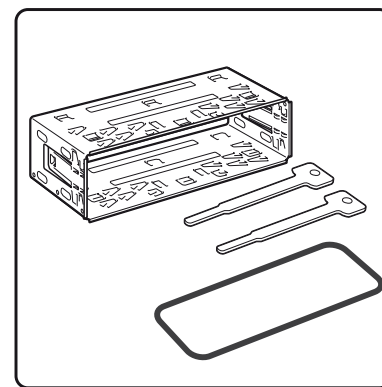
MIC Hanger & Screws
Washers and spare fuse



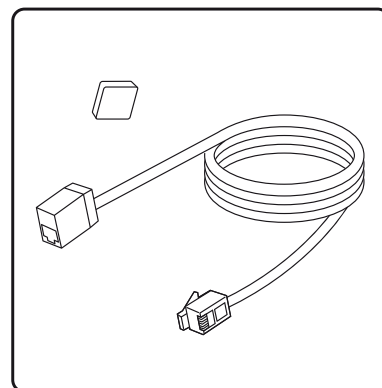
DC Power Cord with fuse



Mounting Bracket,
Mounting Screws, Washer Stars
And Screws



DIN-E Sleeve, DIN-E rubber
ring and keys for vehicle
installation



Extension Cable (EC100) and
Rubber Bushing (Dust Cover)

Optional Accessories



External Speaker (MS100)

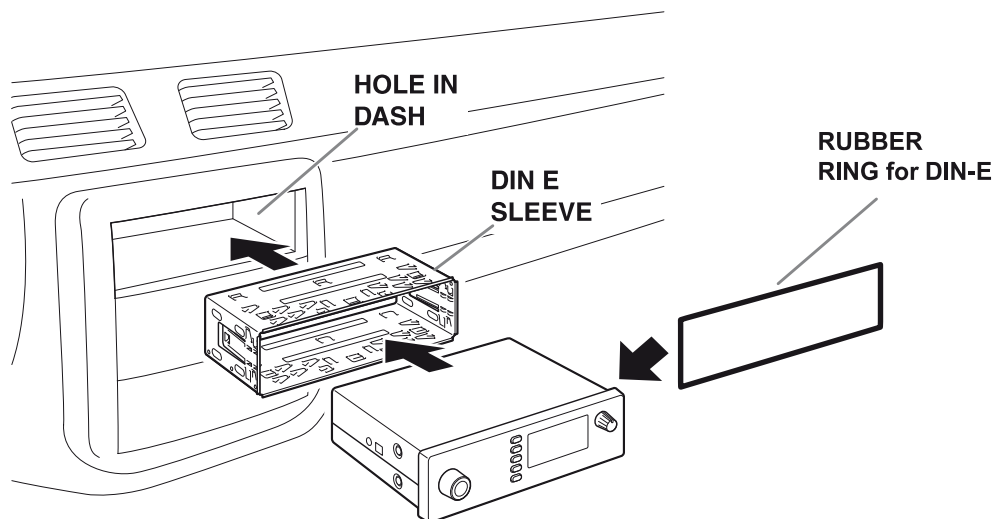


VOX Headset (VM091)

DIN-E Installation

Mounting Using the DIN-E Sleeve

If you are unsure about how to install your PRO630XL in your vehicle using the DIN-E sleeve, consult your automobile manufacturer, dealer, or a qualified installer. Before installing, confirm that your PRO630XL fits in the desired mounting area and you have all the necessary materials to complete the task. Your PRO630XL requires a 53 x 183 x 135 mm mounting area. Allow an additional 60 mm space behind the unit for connectors and wires.



1. Remove the bracket if previously attached.
2. Install the DIN-E sleeve into the opening in your dashboard, lip facing out.
3. Push out the top and bottom tabs to hold the sleeve firmly in place.
4. Remove the flat rubber ring fitted around the cabinet sides near the front of the PRO630XL. Fit the supplied DIN-E rubber ring in its place. When fitted the rubber ring will act as a seal against the DIN-E sleeve. At the left and right sides of the ring there will be a slot space.

NOTE

The slots in the fitted DIN-E Rubber Ring will enable proper removal of radio from the DIN-E sleeve.

5. Before inserting the PRO630XL in the sleeve, attach the cable from the previously mounted antenna. Attach the DC Power leads. RED goes to a positive (+) connection on your fuse block while BLACK connects to the vehicles chassis ground (-). Be sure all the connections are routed away from any potentially pinching or slicing sheet metal.
6. Slowly slide the PRO630XL into the sleeve until it locks in place.

NOTE

If you plan to use the Rear MIC Jack or connect an external speaker at a later time, expect to remove the unit for ease of making those connections.

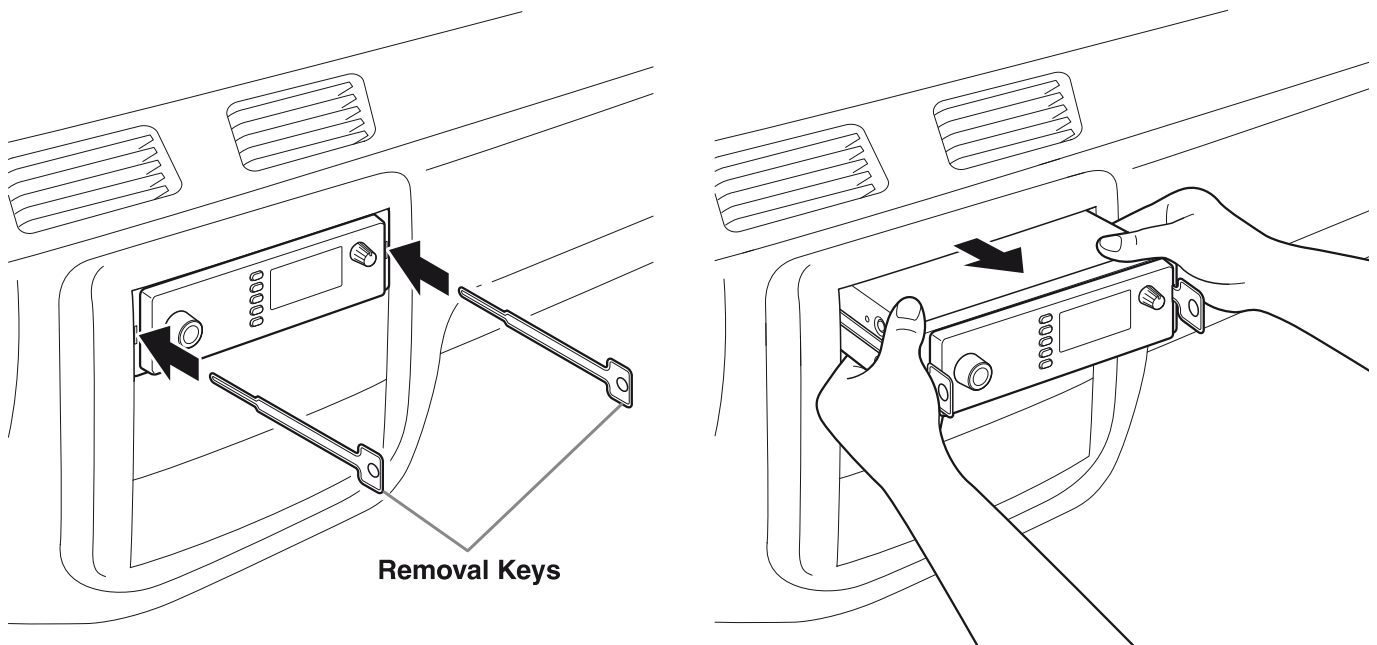
DIN-E Installation

Removing the PRO630XL from the DIN-E Sleeve

If you plan to use the Rear MIC Jack or connect an external speaker, at a later time, you should plan to remove the PRO630XL from the DIN-E sleeve. This is easily done using the provided Removal Keys.

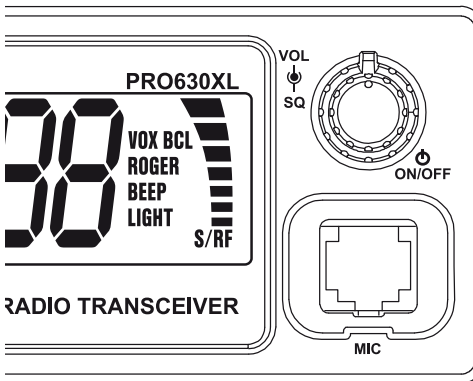
Fully insert both Removal Keys straight into the slots on the left and the right edges of the radio's dress panel. You cannot remove the radio if only one key is available.

Press in fully and the radio will unlock from the sleeve making withdrawal from the sleeve possible. Store the keys in a safe place for future use.

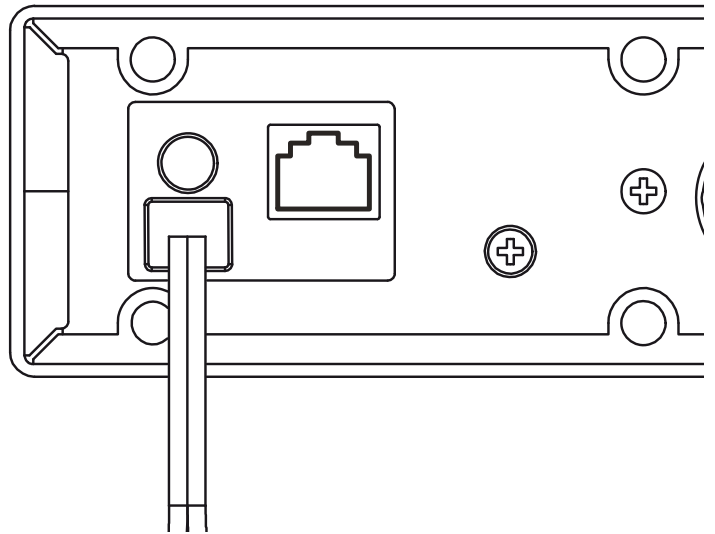


Connecting the Microphone

Front MIC Jack



Rear MIC Jack



Front MIC Jack

Push the MIC plug at the end of the microphone into the MIC Jack until the connection locks into place. Gently tug the MIC cord to test that the connection is locked. Use the Front MIC Jack cover which is threaded onto the MIC cord to seal the MIC Jack entry from dust.

Disconnecting the MIC from the Front MIC Jack

Pull away the threaded rubber collar and move it down along the cord. Using the flat blade of a screwdriver or similar object carefully press the lock tab at the bottom side of the MIC plug and push it upwards. At the same time tug on the MIC cord to draw back the MIC plug.

Rear MIC Jack

Use the Rear MIC Jack if the main base is mounted where a Front MIC connection is intrusive or if you wish to use Standard Microphone with the extension cable.

Peel the dust cover from the Rear MIC Jack. Push the MIC plug at the end of the microphone, or extension cable if using the extension cable into the MIC Jack until the connection locks into place.



The Front and Rear MIC Jacks can not be used at the same time.

Mounting the MIC Hanger

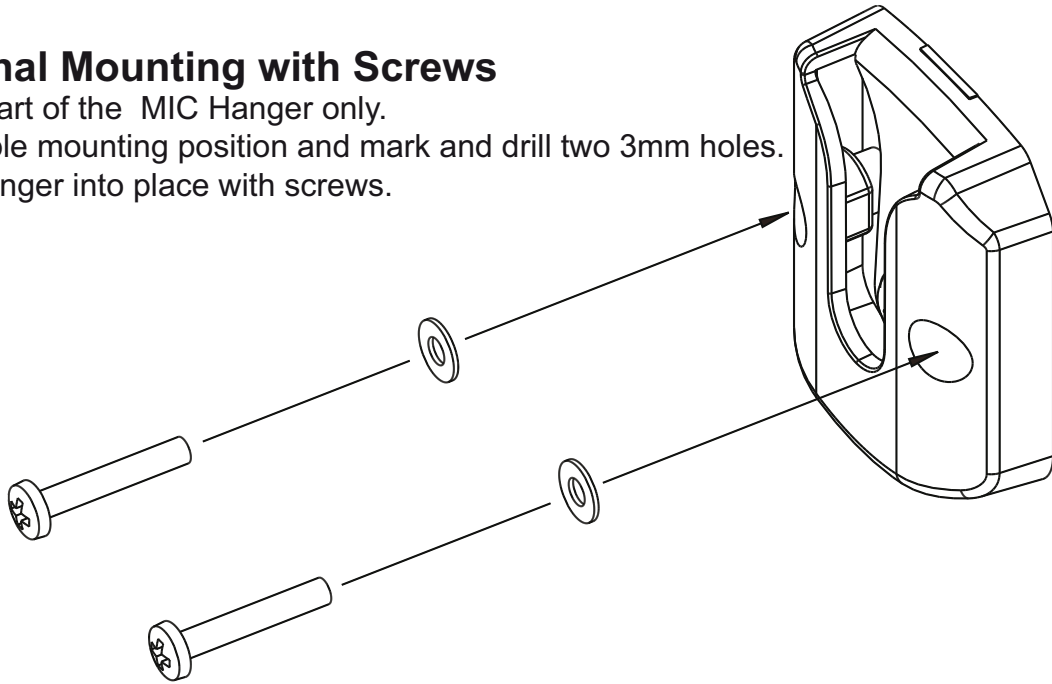
The MIC Hanger comes in two parts. How and where you mount the MIC Hanger will determine which parts to use.

Conventional Mounting with Screws

Use the front part of the MIC Hanger only.

Locate a suitable mounting position and mark and drill two 3mm holes.

Fix the MIC Hanger into place with screws.



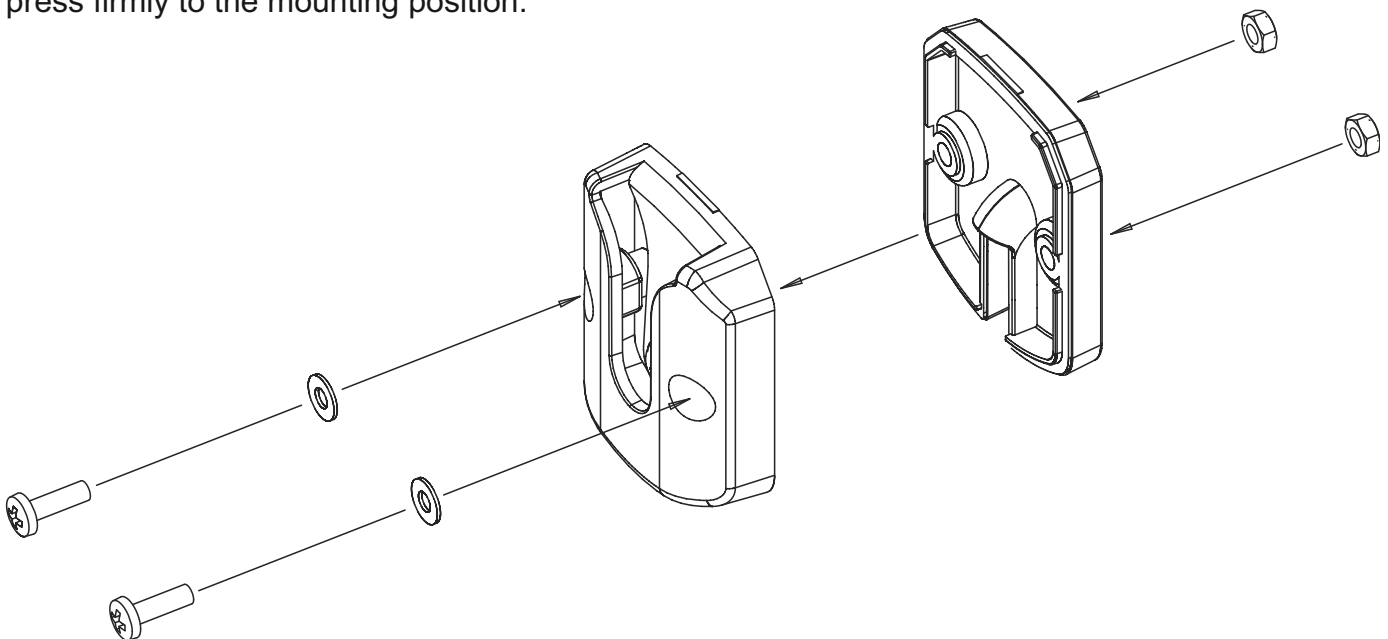
Conventional Mounting with Double Sided Tape (not supplied)

High quality Double-Sided tape can be found at good retail stores.

Secure the front and back pieces of the MIC Hanger using the supplied binding screws.

Locate a suitable mounting position.

Apply high quality Double-Sided tape onto the flat area of the MIC Hanger back piece and then press firmly to the mounting position.



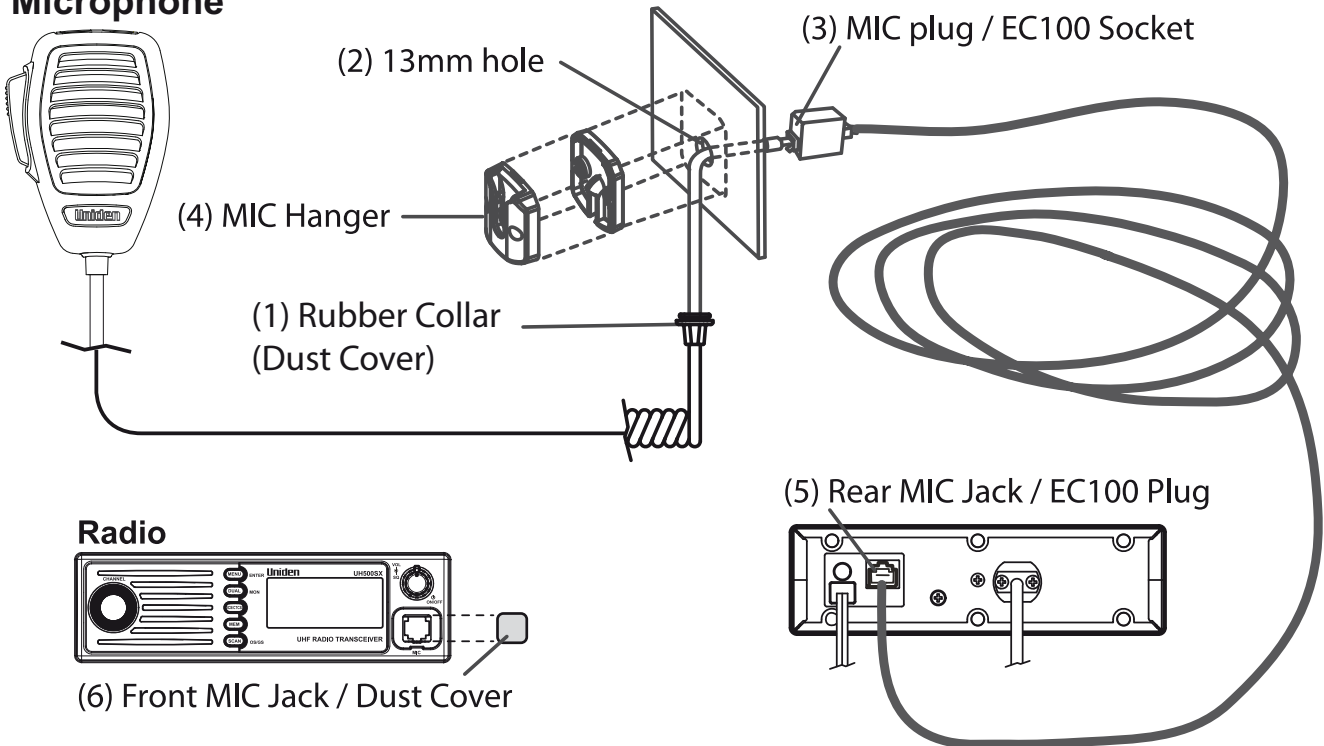
Mounting the MIC Hanger

MIC Hanger mounted over MIC Cable



The curly cord of the Standard Microphone can extend up to 1.5m. For practical installation of the MIC Hanger mounted over MIC Cable use this method with the Extension Cable.

Standard Microphone



Plan the location of the MIC Hanger to be within 2m of the Radio (IE: the length of the extension cable.) Connecting more than one extension cable together may compromise the audio performance of the microphone.

The plug of the extension cable connects to the Radio. The socket end of the extension cable connects with the microphone plug.

1. The rubber collar (dust cover) on the microphone cable is not required and can be pushed out of the way along the cable.
2. Drill a 13mm hole at the MIC Hanger location.
3. Thread the microphone plug through the hole and connect with the extension cable.
4. Mount the MIC Hanger over the hole and cable.
5. At the Radio: Remove the Rear MIC Jack label and connect the extension cable plug.
6. Place the Rubber Bushing (Dust Cover) over the unused Front MIC Jack. Push the edges of the Dust Cover to fit over the Jack opening.

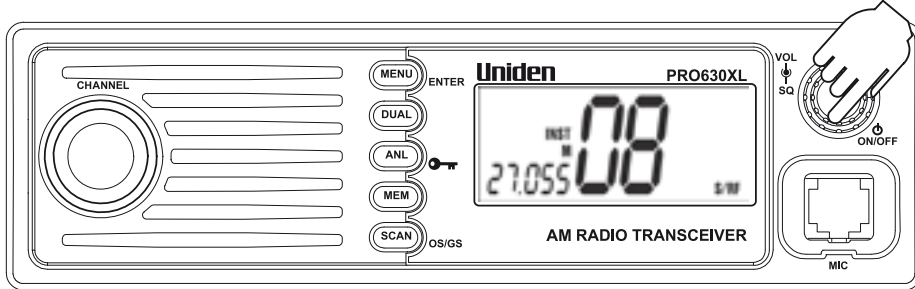
Operation



Australian AM-CB frequencies are shown in the LCD Display examples.

Turning on the Power

Turn the radio ON by rotating the Volume/ON/OFF control clockwise.

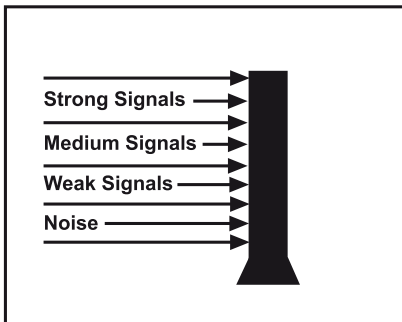


Setting the Manual Squelch

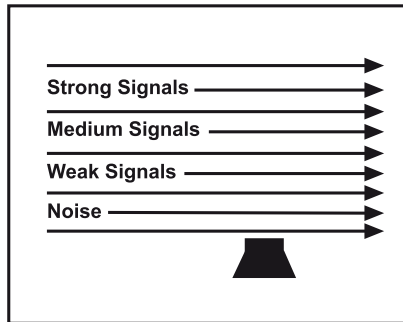
Turn the outer ring of the SQ control at the base to adjust the Squelch.



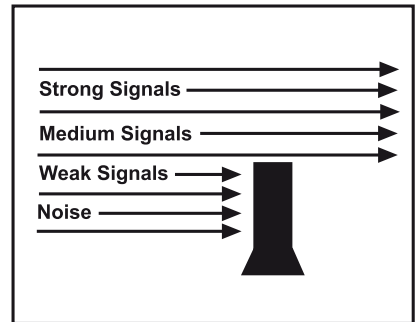
You must select a channel which is not in use before setting the SQUELCH control. (see p.17 for "Selecting a Channel").



Think of the squelch control as a gate. If you turn Squelch fully clockwise it raises the 'Squelch gate' so high that no signals get through.



If you turn the Squelch fully counterclockwise it lowers the 'Squelch Gate' to the extent that all signals get through - weak, medium and strong signals and noise.

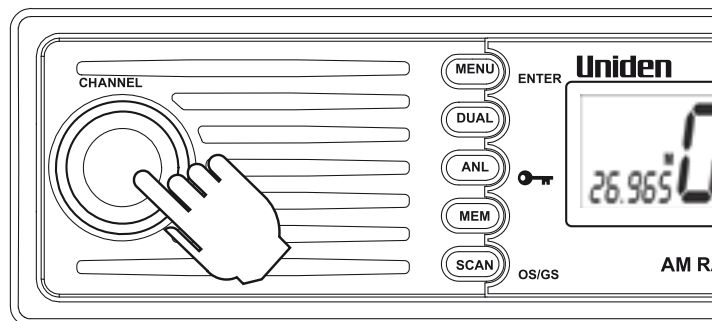


To set the 'Squelch Gate' to the desired level, turn the squelch knob counterclockwise until you hear noise. Then carefully turn the Squelch knob clockwise until the noise fades. Now only strong signals get through.

Operation

Selecting a Channel

Turn the Rotary Channel Selector at the base to select the desired channel.



NOTE

For your reference a list of the available channels, corresponding frequencies and guidelines for their use is printed on p.26.

Operation

Programming the Instant Priority Channel

Turn the Rotary Channel Selector at the base to select the Instant Priority Channel you prefer.

Press and hold **[INST]** button on the microphone for 3 seconds to store the new setting. INST icon appears.

Recalling the Instant Priority Channel

Momentarily press the **[INST]** button on the microphone at any time to return to the Instant Priority Channel.

Transmitting

The AM CB Radio uses the 40 AM-CB Channels.

Select the desired channel. Press the microphone's PTT button and speak normally into the microphone. Hold it approx. 7cm from your mouth. Release the PTT button to end the transmission and listen for a reply.

Call Function

Press the microphone Call Button. A three second ringing tone will be transmitted.

You may select from 5 types of tones (see p.22).



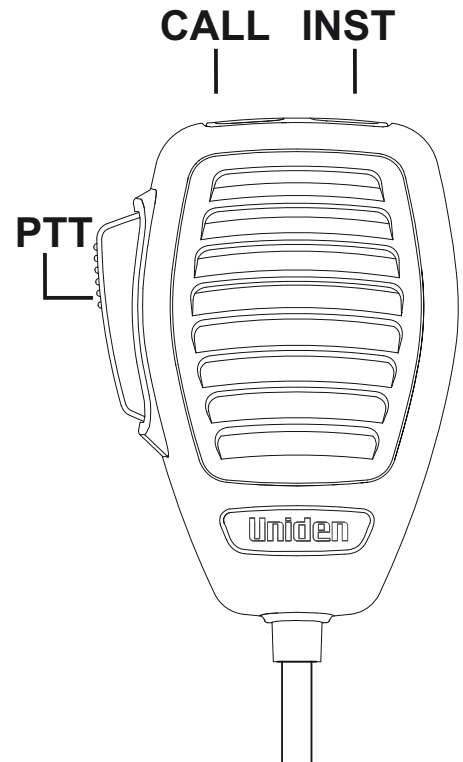
Current regulations require calling tones to be restricted to one transmission per minute. If a second transmission is attempted within one minute then an error tone will sound.

DUAL Watch

Dual watch will continuously monitor the Instant Priority Channel no matter what other channel is on (see Programming the Instant Priority Channel above).

Press **[DUAL]** on the base. DUAL icon appears and a short tone beep is heard.

To cancel DUAL Watch press **[DUAL]** on the base. DUAL icon disappears.



Operation

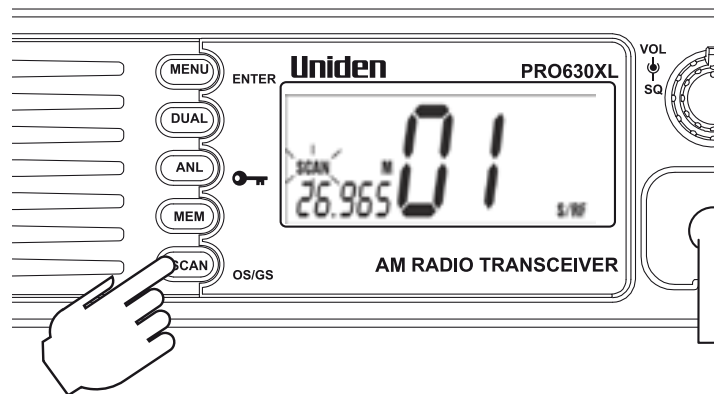
Scanning

The AM CB Radio has a scanning feature that allows you to search for active channels automatically.

Furthermore, the AM CB Radio is designed to have two types of scanning; Open Scanning (OS) and Group Scanning (GS), to give you flexibility and allow you to use the radio more effectively. Press **[SCAN/OS/GS]** and Scanning starts.

The SCAN icon appears.

The scan direction can be changed at any time by rotating the channel selector left.



Operation

Open Scan (OS) Mode

Allows continuous scanning of all selected channels. If an active channel is found, scanning will stop on that channel. If the received signal ceases, the unit will wait 3 seconds for the signal to return, otherwise scanning resumes.



After transmission in scan mode, the unit will wait 20 seconds for the signal to return, otherwise scanning resumes.

To skip the active channel, turn the Rotary Channel Selector at the base. To deactivate SCAN, press **[SCAN/OS/GS]**.



If SCAN is deactivated while on an active channel, the AM CB Radio will stay on that active channel. If no channels are active, the AM CB Radio will reinstate the starting channel.



OS Mode is indicated by the absence of the GS icon.

Group Scan (GS) Mode

Includes the accessory feature Priority Watch which allows you to monitor the Instant Priority Channel while scanning (see p.18 for setting Instant Priority Channel and p.21 to turn on Priority Watch).

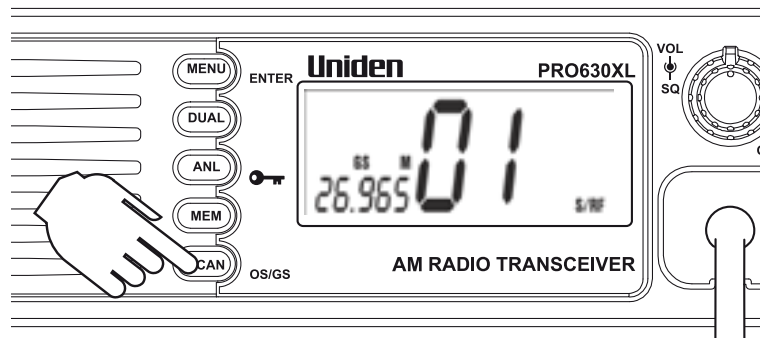
To use GS Mode Scanning, press and hold **[SCAN/OS/GS]**. GS icon appears on the display.

GS Scanning checks the Instant Priority Channel for activity regularly when Priority Watch is ON.

If the Instant Priority Channel becomes active the radio will stay on that channel for as long as the signal is present. If the received signal ceases, GS Scanning continues after 3 seconds.

If scanning stops on a channel which is not a Instant Priority Channel, AM CB Radio will continue monitoring the Instant Priority Channel for activity while listening to the active one.

To deactivate SCAN, press the **[SCAN/OS/GS]** button.



Operation

Priority Watch

To switch Priority Watch On/Off;

1. Press **[MENU/ENTER]** one time. The Priority Watch setting flashes.
2. Turn the Rotary Channel Selector at the base to change the setting between ON or OFF.
3. Press **[MENU/ENTER]** to store the setting.
4. Press and hold **[MENU/ENTER]** to exit from the menu mode.



*If SCAN is deactivated while it is tuned to an active channel, the AM CB Radio will stay on that active channel.
If none of the channels are active, the AM CB Radio will reinstate the scan start channel.*



If OS/GS Scanning is initiated when there are no channels programmed in OS/GS memory, an error tone will be heard and scanning will not start (see Programming Scan Channels - below).

Add/Remove Channels from SCAN Memory

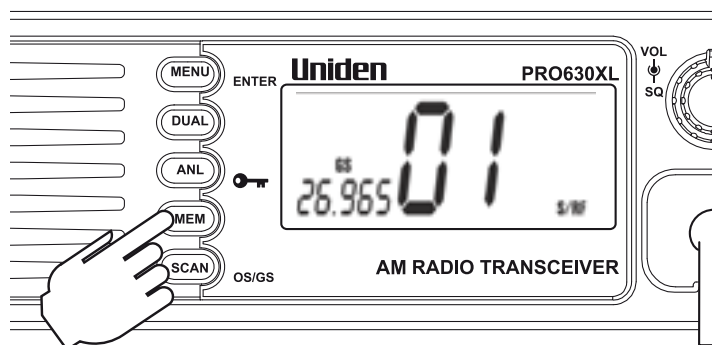
Select which Scanning Mode you wish to use

OS or GS.

Select the channel you want to store.

Press to **[MEM]** store. M icon appears and a short tone beep is heard.

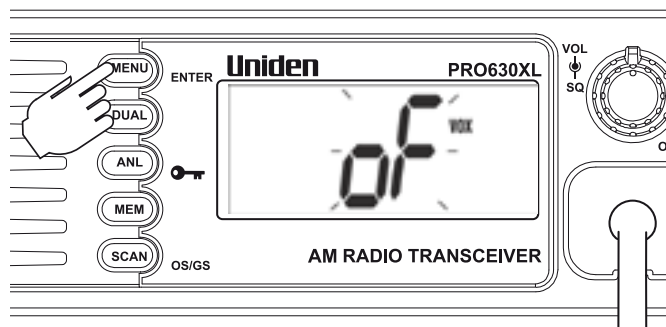
To remove the channel from SCAN memory, press **[MEM]** once more. The M icon disappears.



Operation

VOX Operation (optional VOX headset required)

1. Press **[MENU/ENTER]** two times.
The VOX setting flashes.
2. Turn the Rotary Channel Selector at the base to change the VOX sensitivity (oF (OFF), 1 (highest) - 9 (lowest)).
3. Press **[MENU/ENTER]** to store the setting.
4. Press and hold **[MENU/ENTER]** to exit from the menu mode.
5. Disconnect Standard Microphone and connect the VOX headset.

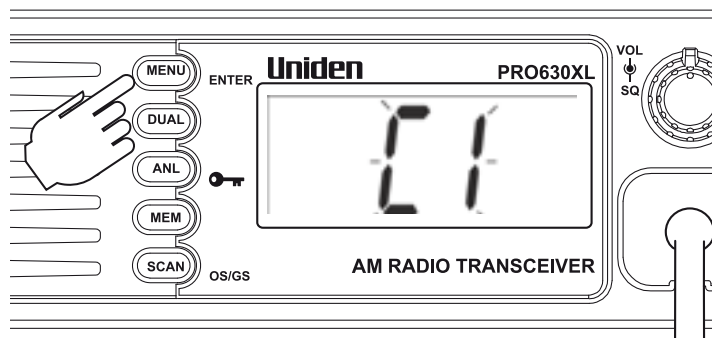


NOTE

- The VOX function works only when connected in place of the Standard Microphone. The optional VOX Headset and Standard Microphone cannot be connected at the same time.
- If a button is not pressed within 10 seconds the AM CB Radio will automatically exit the Menu Mode.

Selecting the Call tone

1. Press **[MENU/ENTER]** three times.
The call tone setting flashes.
2. Turn the Rotary Channel Selector to change the setting between C1, C2, C3, C4 and C5.
3. Press **[MENU/ENTER]** to store the setting.
4. Press and hold **[MENU/ENTER]** to exit from the menu mode.



NOTE

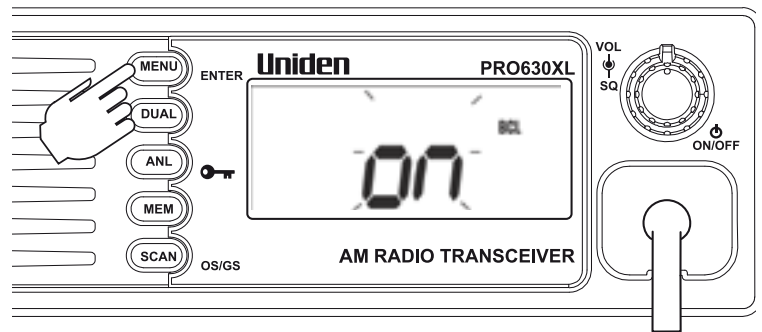
- If a button is not pressed within 10 seconds the AM CB Radio will automatically exit the Menu Mode.

Operation

Busy Channel Lockout

If the channel is already in use, you can prevent the AM CB Radio from transmitting .

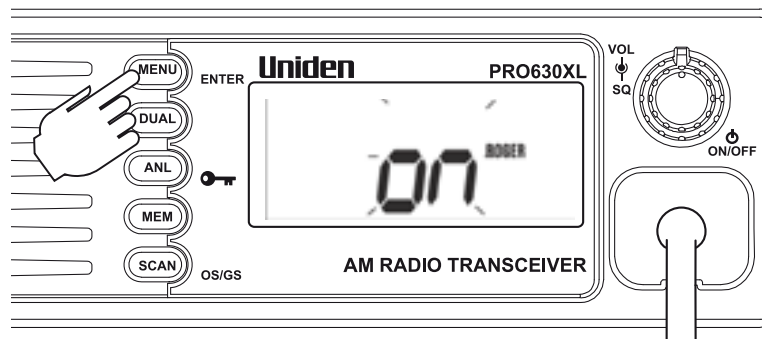
1. Press **[MENU/ENTER]** four times. The BCL setting flashes.
2. Turn the Rotary Channel Selector at the base to change the setting between ON or OFF.
3. Press **[MENU/ENTER]** to store the setting.
4. Press and hold **[MENU/ENTER]** to exit from the menu mode.



If a button is not pressed within 10 seconds the AM CB Radio will automatically exit the Menu Mode.

Roger Beep

1. Press **[MENU/ENTER]** five times. The roger beep setting flashes.
2. Turn the Rotary Channel Selector at the base to change the setting between ON or OFF.
3. Press **[MENU/ENTER]** to store the setting.
4. Press and hold **[MENU/ENTER]** to exit from the menu mode.

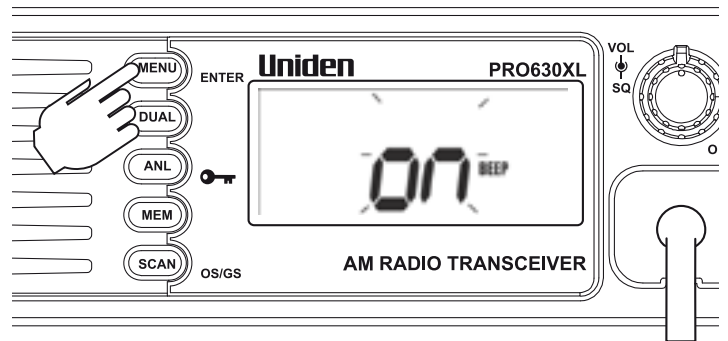


If a button is not pressed within 10 seconds the AM CB Radio will automatically exit the Menu Mode.

Operation

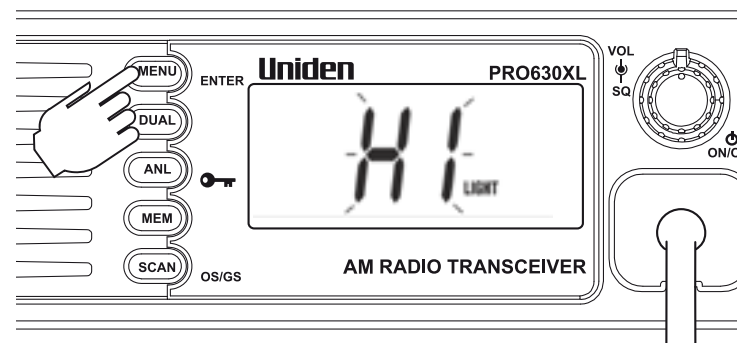
Beep On/Off

1. Press **[MENU/ENTER]** six times. The Beep setting flashes.
2. Turn the Rotary Channel Selector at the base to change the setting between ON or OFF.
3. Press **[MENU/ENTER]** to store the setting.
4. Press and hold **[MENU/ENTER]** to exit from the menu mode.



Back Light


1. Press **[MENU/ENTER]** seven times. The Backlight setting flashes.
2. Turn the Rotary Channel Selector at the base to change the setting between OFF, LO and HI.
3. Press **[MENU/ENTER]** to store the setting.
4. Press and hold **[MENU/ENTER]** to exit from the menu mode.

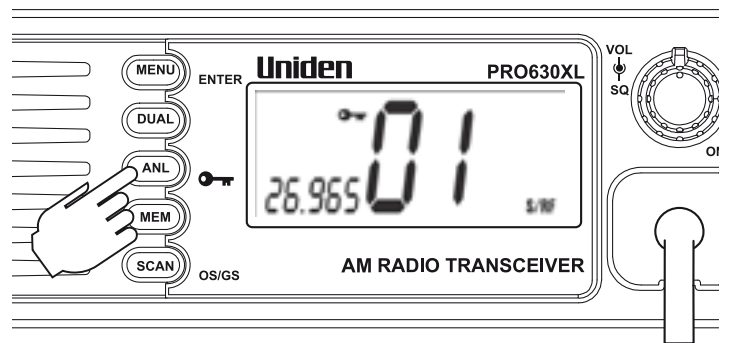


Operation

Key Lock

Use the Key Lock feature to prevent unexpected key changes.

Press and hold ANL/() to turn key lock ON or OFF.

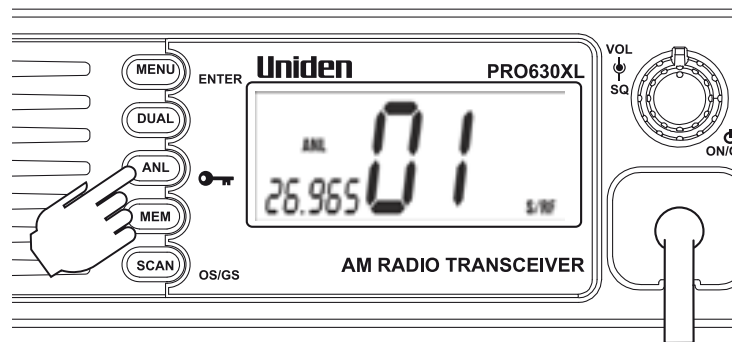


*When Key Lock is ON, PTT and VOX are still active.
The Key Lock setting is remembered when if power is turned off and on.*

ANL (Automatic Noise Limiter)

ANL will reduce harsh background noise caused by some interference.

Momentarily press ANL/() the ANL icon appears.



AM CB Channels & Frequencies


NOTE

The PRO630XL will only operate on the frequencies of the country of original purchase. The frequencies cannot be changed from one country to another. It is illegal to operate a PRO630XL set on Australian frequencies in New Zealand or a PRO630XL set on New Zealand frequencies in Australia.

* Road Channel for Australia/New Zealand Model is shown in BOLD in the table.
Modulation: AM, Transmit Power (each channel): 4W

CH NO. Australia	Frequency (MHz)	CH NO. New Zealand	Frequency (MHz)
01	26.965	01	26.330
02	26.975	02	26.340
03	26.985	03	26.350
04	27.005	04	26.370
05	27.015	05	26.380
06	27.025	06	26.390
07	27.035	07	26.400
08	27.055	08	26.420
09	27.065	09	26.430
10	27.075	10	26.440
11	27.085	11	26.450
12	27.105	12	26.470
13	27.115	13	26.480
14	27.125	14	26.490
15	27.135	15	26.500
16	27.155	16	26.520
17	27.165	17	26.530
18	27.175	18	26.540
19	27.185	19	26.550
20	27.205	20	26.570
21	27.215	21	26.580
22	27.225	22	26.590
23	27.255	23	26.620
24	27.235	24	26.600
25	27.245	25	26.610
26	27.265	26	26.630
27	27.275	27	26.640
28	27.285	28	26.650
29	27.295	29	26.660
30	27.305	30	26.670
31	27.315	31	26.680
32	27.325	32	26.690
33	27.335	33	26.700
34	27.345	34	26.710
35	27.355	35	26.720
36	27.365	36	26.730
37	27.375	37	26.740
38	27.385	38	26.750
39	27.395	39	26.760
40	27.405	40	26.770

Warranty

UNIDEN PRO630XL AM CB TRANSCEIVER RADIO

Two Year Limited Warranty

IMPORTANT Evidence of the original purchase is required for warranty service.

Warrantor: Uniden Australia Pty Limited ABN 58 001 865 498
Uniden New Zealand Limited

Elements of Warranty: Uniden warrants to the original retail owner for the duration of this warranty its PRO630XL AM CB TRANSCEIVER RADIO (hereinafter referred to as the Product), to be free from defects in materials and craftsmanship with only the limitations or exclusions set out below.

Warranty Duration: This warranty to the original retail owner only is only valid in the original country of purchase and shall be of no further effect 2 years after the date of original retail sale. This warranty will be deemed invalid if the Product is: (A) Damaged or not maintained as reasonable and necessary, (B) Modified, altered or used as part of any conversion kits, subassemblies, or any configurations not sold by Uniden, (C) Improperly installed, (D) Repaired by someone other than an authorized Uniden Repair Agent for a defect or malfunction covered by this warranty, (E) Used in conjunction with any equipment or parts or as a part of a system not manufactured by Uniden. (F) Only available in the original country of sale.

Parts Covered: This warranty covers for two (2) years, the Product and included accessories.

Statement of Remedy: In the event that the Product does not conform to this warranty at any time while this warranty is in effect, the warrantor, at its discretion, will repair the defect or replace the Product and return it to you without charge for parts and service. This warranty does not provide for reimbursement or payment of incidental or consequential damages. This EXPRESS WARRANTY is in addition to and does not in any way affect your rights under the TRADE PRACTICES ACT 1974 (Cth) (Australia) or the CONSUMER GUARANTEES ACT (New Zealand).

Procedure for obtaining performance or warranty: in the event that the Product does not conform to this warranty, the Product should be shipped or delivered, freight prepaid, with evidence of original purchase (e.g. a copy of the sales docket) to the warrantor at:

UNIDEN AUSTRALIA PTY LTD
Service Division
345 Princes Highway,
Rockdale, NSW 2216
Fax (02) 9599 3278
www.uniden.com.au

UNIDEN NEW ZEALAND LTD
Service Division
150 Harris Road,
East Tamaki, Manukau 2013
Fax (09) 274 4253
www.uniden.co.nz

Uniden[®]

© 2008 Uniden Australia Pty Limited/Uniden New Zealand Limited
Printed in China UTZZ01377ZZ(0)