



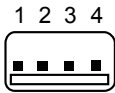
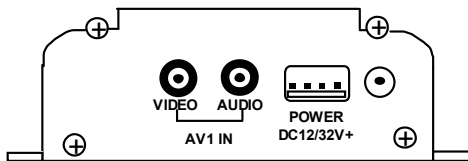
Clear View

MONGOOSE 12~24v REVERSING CAMERA SYSTEM INSTALLATION GUIDE

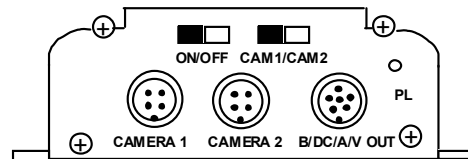
- 1 x Light weight LCD 7" colour monitor
- 1 x CCD 120° waterproof heavy duty IR night vision camera
- 2 camera inputs + AV input
- Auto switching to reverse camera
- 1 x 20m heavy duty video cable
- 1 x power cable

Optional:

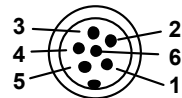
- 2nd camera
- 10m & 20m video extension cables



1	BLACK (-) Ground
2	RED - +DC 12~32
3	GREEN - Reverse in (+)
4	YELLOW - no connection



1	+DC 12v
2	Ground
3	Audio (if applicable)
4	Video



1	Audio 1 OUT	4	Video 2 OUT
2	Video 1 OUT	5	Ground
3	Reverse OUT	6	DC12v OUT

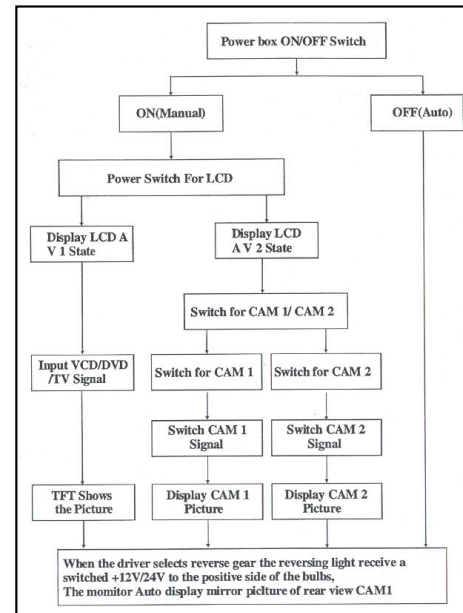
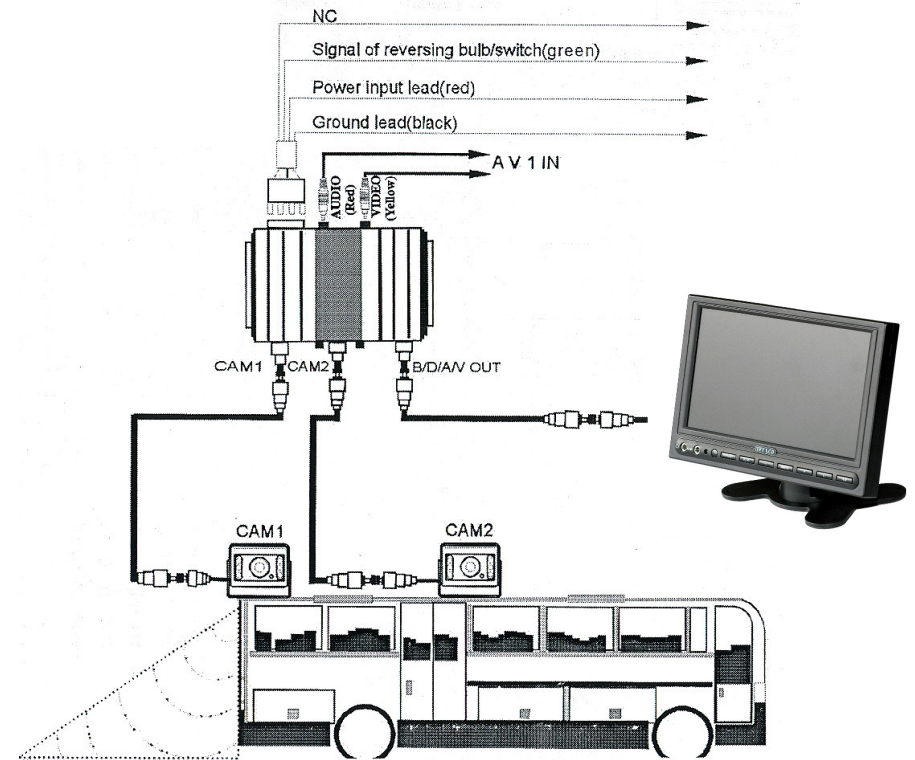
Control box connections:

RED: 15amp fused – to constant +12v~32v

BLACK: To ground (-)

GREEN: To (+) of reversing light. When reverse gear selected, monitor switches automatically to rear camera. Alternatively, it can be connected to an on/off switch for manual operation. Can be connected to both for auto and manual operation.

YELLOW: no connection



- Recommended for professional installation
- Do not disassemble or attempt to repair this product
- Avoid dropping or causing impact as damage may result
- Do not use in extremes of heat and cold (see specifications)
- Avoid directing high pressure water onto the camera
- Direct sunlight or glare into the lens may affect picture quality / vision
- Do not exceed rated voltage
- Do not touch or apply pressure to the lens area

Mongoose Australia

Web site: www.mongoose.com.au

Email: sales@mongoose.com.au

Mongoose New Zealand

Web site: www.mongoose.co.nz

Email: sales@mongoose.co.nz