

Cerwin-Vega

mobile

VEGA

SUBWOOFER OWNERS MANUAL

Dear Cerwin-Vega Mobile Customer,

Thank you for making Cerwin-Vega Mobile your choice for high performance car audio products. At Cerwin-Vega Mobile our goal is to produce products of unsurpassed quality. We believe you will not find a better value anywhere in the mobile audio environment.

To ensure that your new Cerwin-Vega Mobile speakers provide years of enjoyment you should consider having them installed by a professionally trained technician. They have the knowledge to make your new speakers perform their very best.

Prolonged exposure to sound pressure levels in excess of 100dB can cause permanent hearing loss. Cerwin-Vega Mobile speakers can exceed that level, so please exercise restraint when listening and enjoy your new speakers for years to come.

The Cerwin-Vega Mobile Team



SERIES WOOFER FEATURES

Mica filled polypropylene cone

Red rubber surround

Woven tinsel leads

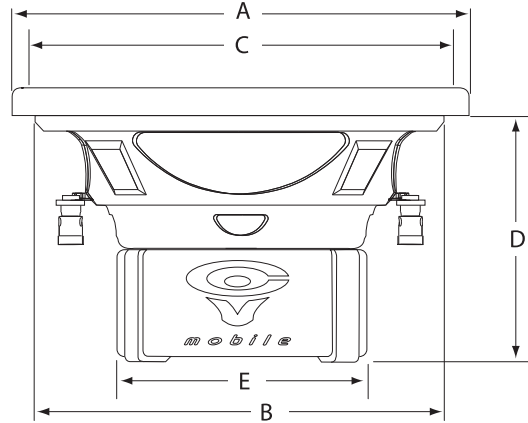
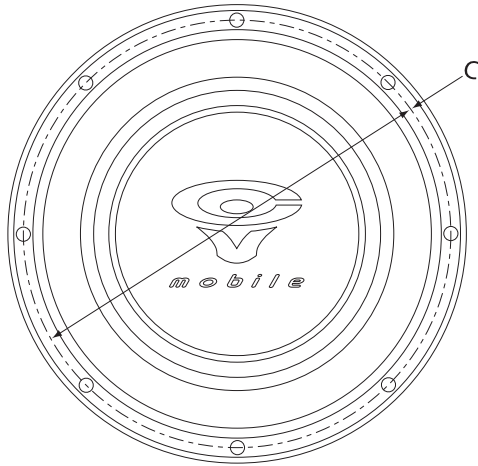
Bumped back plate with vented pole piece

Dual 2" voice coil

2 or 4 ohm

PHYSICAL DIMENSIONS

Dimension (in./mm)	VEGA 102/104	VEGA 122/124	VEGA 152/154
Total Diameter (A)	10.3 in. (262 mm)	12.4 in. (315 mm)	15.35 in. (390 mm)
Mounting Diameter (B)	9.25 in. (235 mm)	11 in. (280 mm)	13.86 in. (352 mm)
Screw Hole Diameter (C)	9.6 in. (244 mm)	11.7 in. (297 mm)	14.37 in. (365 mm)
Mounting Depth (D)	5.3 in. (135 mm)	6.37 in. (162 mm)	7.44 in. (189 mm)
Magnet Diameter (E)	5.5 in. (140 mm)	5.5 in. (140 mm)	5.5 in. (140 mm)
Displacement	0.059 ft ³ / 1.7 liter	0.094 ft ³ / 2.7 liter	0.170 ft ³ / 4.8 liter



THIELE/SMALL PARAMETERS

Parameter (unit)	VEGA 102	VEGA 104	VEGA 122	VEGA 124	VEGA 152	VEGA 154
SPL (dB)	84.3	84.5	86.1	85.6	87.7	88.3
Re (Ω) [series]	3.80	6.60	3.60	6.80	3.90	6.60
Qms	4.767	4.775	4.801	4.580	3.873	3.64
Qes	0.558	0.669	0.602	0.706	0.740	0.804
Qts	0.499	0.587	0.535	0.612	0.621	0.659
Fs (Hz)	33.948	35.270	29.139	30.273	27.611	29.806
Vas (L)	24.712	27.838	65.101	60.313	135.935	135.938
Cms (mm/N)	.116000	.179952	.175771	.162843	.129450	.129436
Mms (g)	137.600	113.154	169.730	169.731	256.664	220.275
Sd (m ²)	.033006	.033006	.051071	.051071	.086000	.086000
BL (T*M)	14.140	15.729	13.630	17.630	15.322	18.399
Xmax (mm) one way	6.5	6.5	7.0	7.0	7.0	7.0
Pwr (W) NOM/MAX	200/400	200/400	200/400	200/400	200/400	200/400

ENCLOSURE

The enclosures specified below are offered as a suggestion only. Assistance from an authorized Cerwin-Vega Mobile retailer is recommended for designing the correct system for your vehicle. All volumes below are shown as gross internal volumes, driver and vent displacement has been accounted for. The use of a 30Hz sub-sonic filter is recommended on most vented enclosures.

Sealed	VEGA 102/104	VEGA 122/124	VEGA 152/154
Vb (ft ³)	0.7	1.0	2.0
F3 (Hz)/QTC	54/0.65	41/0.88	34/0.75
Power Handling (Watts RMS)	200	200	200
Vented			
Vb (ft ³)	1.0	1.75	3.0
Fb/F3 (Hz)	45/38	41/33	42/27
Port (in.) [dia. x length]	3 x 7.15	4 x 8.5	4 x 10.5
Power Handling (Watts RMS)	200	200	200

Warranty

Cerwin-Vega Mobile warrants all amplifiers and speakers to be free of defects in material or workmanship for a period of 1 year.

Warranty Procedure:

Cerwin-Vega Mobile strongly suggests all warranty claims should be handled through an authorized dealer. Because of the technical nature of our products, performance problems can often be the result of improper usage or installation. An authorized retailer can help determine if this is the case and will save you the time of returning an item that is not actually defective.

For all VEGA subwoofer models the cone is to be removed from the basket as completely as possible. Cut the surround and then the spider. After this, the cone should lift out.

For VEGA coaxial models, the tweeter needs to be broken off and sent in with the cone.

All returns must have the serial number taped to the cone. The serial number can be found on the basket on all speakers and underneath the spider attached to the top of the magnet plate.

Please remove the sticker and tape it to the cone. This process will save everyone on shipping costs and allow us to check and replace speakers much faster.

For all VMAX models as well as all amplifier models, the defective unit needs to be returned. For speaker systems such as Vmax component models only return the defective part (i.e midbass, tweeter or crossover).

Shipping:

Once you have your RA number, ship your return to:

Cerwin-Vega Mobile
ATTN: Customer Service Dept.
6915 W. Frye Road
Chandler, AZ 85226

When we receive your return, we will process your order. Please make sure that you clearly mark the RA number on the outside of the box and on the shipping label.

If the RA number is not on the outside of box/label, it will be returned to sender!

Specifications subject to change without notice.



mobile

6915 W. Frye Road
Chandler, AZ 85226
480 838 9422 • 480 491 1201 [fax]
www.cerwinvegamobile.com