

Cerwin-Vega
mobile

VMAX

SUBWOOFER OWNERS MANUAL

Dear Cerwin-Vega Mobile Customer,

Thank you for making Cerwin-Vega Mobile your choice for high performance car audio products. At Cerwin-Vega Mobile our goal is to produce products of unsurpassed quality. We believe you will not find a better value anywhere in the mobile audio environment.

To ensure that your new Cerwin-Vega Mobile speakers provide years of enjoyment you should consider having them installed by a professionally trained technician. They have the knowledge to make your new speakers perform their very best.

Prolonged exposure to sound pressure levels in excess of 100dB can cause permanent hearing loss. Cerwin-Vega Mobile speakers can exceed that level, so please exercise restraint when listening and enjoy your new speakers for years to come.

The Cerwin-Vega Mobile Team

The logo for VMAX is rendered in a large, bold, white, blocky font with a thick black outline. The letters are slightly slanted and have a modern, aggressive feel.

SERIES WOOFER FEATURES

Mica filled polypropylene cone

Dual Spiders with sandwiched tinsel leads

Diecast Aluminum Frame

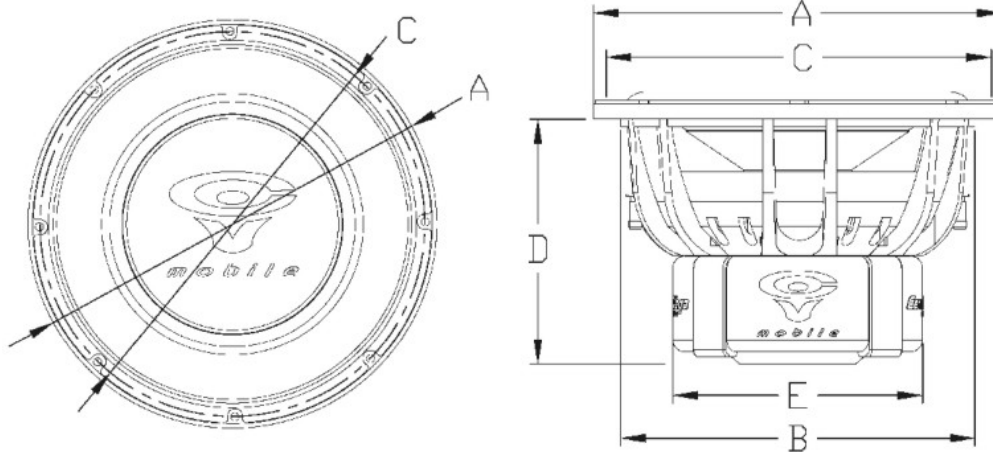
Dual 2.5" voice coils

Available in 2 ohm or 4 ohm

500 watts RMS Power handling

PHYSICAL DIMENSIONS

Dimension (in./mm)	VMax 102/104	VMax 122/124	VMax 152/154
Total Diameter (A)	10.62 in. (270 mm)	12.59 in. (320 mm)	15.35 in. (390 mm)
Mounting Diameter (B)	9.25 in. (235 mm)	11.3125 in. (287 mm)	13.75 in. (349 mm)
Screw Hole Diameter (C)	10.03 in. (255mm)	11.96 in. (304 mm)	14.76 in. (375 mm)
Mounting Depth (D)	6.37 in. (162 mm)	6.77 in. (172 mm)	7.6875 in. (195 mm)
Magnet Diameter (E)	6.49 in. (165 mm)	6.49 in. (165 mm)	6.49 in. (165 mm)
Displacement	0.09 ft ³ (2.55 liter)	0.13 ft ³ (3.68 liter)	0.22 ft ³ (6.23 liter)



THIELE/SMALL PARAMETERS

Parameter (unit)	VMax 102	VMax 104	VMax 122	VMax 124	VMax 152	VMax 154
SPL (dB)	83.1	82.7	86.2	85.6	87.2	86.1
Re (Ω) [series]	3.70	7.20	3.70	7.20	3.70	7.20
Qms	3.471	4.598	4.457	4.940	3.685	5.323
Qes	0.552	0.636	0.554	0.641	0.595	0.796
Qts	0.476	0.559	0.493	0.567	0.512	0.693
Fs (Hz)	38.070	39.552	32.676	32.676	29.138	30.273
Vas (L)	13.370	12.387	43.159	43.159	82.259	76.209
Cms (mm/N)	0.095399	0.088383	0.099910	0.099910	0.089560	0.082973
Mms (g)	183.202	183.202	237.448	237.448	333.115	333.115
Sd (m ²)	0.031416	0.031416	0.055155	0.055155	0.080425	0.080425
BL (T*M)	17.141	22.707	18.047	23.407	19.470	23.938
Xmax (mm) one way	11.9	13.8	11.9	13.8	11.9	13.8
Pwr (W) NOM/MAX	500/1000	500/1000	500/1000	500/1000	500/1000	500/1000

ENCLOSURE

The enclosures specified below are offered as a suggestion only. Assistance from an authorized Cerwin-Vega Mobile retailer is recommended for designing the correct system for your vehicle. All volumes below are shown as gross internal volumes, driver and vent displacement has been accounted for. The use of a 30Hz sub-sonic filter is recommended on most vented enclosures.

Sealed	VMax 102/104	VMax 122/124	VMax 152/154
Vb (ft ³)	0.7	1.0	2.0
F3 (Hz)/QTC	54/0.65	33/0.75	52/0.89
Power Handling (Watts RMS)	500	500	500
Vented			
Vb (ft ³)	1.0	1.75	2.0
Fb/F3 (Hz)	36/29	42/29	39/29
Port (in.) [dia. x length]	2.5 x 8.75	4 x 7.5	4 x 8
Power Handling (Watts RMS)	400	400	400

Warranty

Cerwin-Vega Mobile warrants all amplifiers and speakers to be free of defects in material or workmanship for a period of 1 year.

Warranty Procedure:

Cerwin-Vega Mobile strongly suggests all warranty claims should be handled through an authorized dealer. Because of the technical nature of our products, performance problems can often be the result of improper usage or installation. An authorized retailer can help determine if this is the case and will save you the time of returning an item that is not actually defective.

For all VEGA subwoofer models the cone is to be removed from the basket as completely as possible. Cut the surround and then the spider. After this, the cone should lift out.

For VEGA coaxial models, the tweeter needs to be broken off and sent in with the cone.

All returns must have the serial number taped to the cone. The serial number can be found on the basket on all speakers and underneath the spider attached to the top of the magnet plate.

Please remove the sticker and tape it to the cone. This process will save everyone on shipping costs and allow us to check and replace speakers much faster.

For all VMAX models as well as all amplifier models, the defective unit needs to be returned. For speaker systems such as Vmax component models only return the defective part (i.e midbass, tweeter or crossover).

Shipping:

Once you have your RA number, ship your return to:

Cerwin-Vega Mobile
ATTN: Customer Service Dept.
6915 W. Frye Road
Chandler, AZ 85226

When we receive your return, we will process your order. Please make sure that you clearly mark the RA number on the outside of the box and on the shipping label.

If the RA number is not on the outside of box/label, it will be returned to sender!

Specifications subject to change without notice.



mobile

6915 W. Frye Road
Chandler, AZ 85226
480 838 9422 • 480 491 1201 [fax]
www.cerwinvegamobile.com